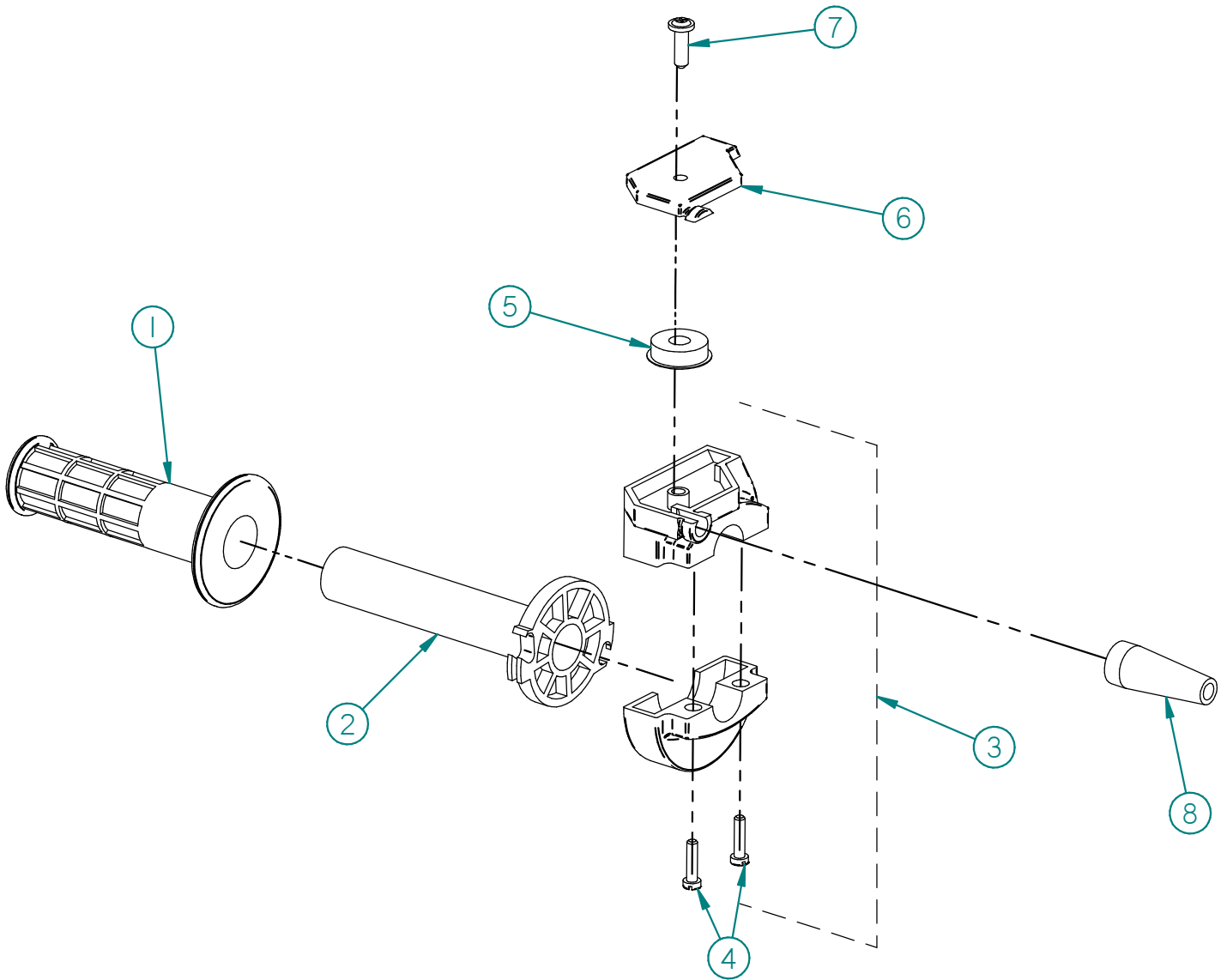


Replacement Parts Diagram
PN: 310-0030 Throttle Control Assembly
For Use With
200 Series Hole Diggers



Reference Number	Part Number	Description	Quantity
1	310-0020-030	Grip, Throttle	1
2	310-0030-020-A	Tube, Throttle, W/Grip, (Includes Reference 1)	1
3	310-0030-010-A	Assembly, Body, W/Screws, (Includes Reference 4)	1
4	310-0030-040	Screw, Cheesehead, M5-.8 X 20	2
5	310-0030-070	Sheave, Roller	1
6	310-0030-060	Cover, Top	1
7	310-0030-050	Screw, Self-Tapping	1
8	310-0020-080	Boot, Rubber	1

Replacement Parts Diagram Machine Decals 242H Hole Digger [Beginning with Serial Number 174809]

General EQUIPMENT COMPANY
CUSTOMER SERVICE INFORMATION
Avoid Injury. Use this product properly. Don't be afraid to ask for help.
* For technical and application assistance contact your selling dealer.
* If this product was rented, contact the location from which it was rented.
* For operator manuals go to: www.generalequip.com/library.php
* For product & safety videos go to: www.youtube.com/user/Generalequip
For further assistance, contact General Equipment Customer Service. There is no charge for this service.
9524-0272

SG24-5072
DECAL, ASSISTANCE

WARNING
This product can expose you to chemicals including greases, lubrication oils, silica dusts and asbestos which are known to the State of California to cause cancer and/or Carbon Monoxide (if gasoline engine powered) which is known to cause birth defects or other reproductive harm.
For more information: www.P65Warnings.ca.gov
GECD-5060

GECD-5060
DECAL, WARNING, PROP 65

*ON BACK SIDE OF ENGINE

DANGER
CARBON MONOXIDE FUMES PRODUCED BY THE ENGINE CAN KILL. DO NOT UTILIZE THIS MACHINE INDOORS OR IN SHELTERED AREAS.
240-5090

240-5090
DECAL, DANGER

*ON BACK SIDE OF ENGINE

CHECK OIL LEVEL
ENGINE OIL CAPACITY: 3.2 oz (100mL)
OIL FILLER CAP/DIPSTICK
CHECK ENGINE OIL LEVEL AS SHOWN. SAE 10W-30, API SJ OR LATER
240H-5010

240H-5010
DECAL, LEVEL, OIL



GECD-5020
DECAL, GENERAL, 1.38 X 7.00

READ BEFORE STARTING
PROPER OPERATOR POSITION REQUIRES THE ENGINE TO BE STARTED WITH YOUR LEFT HAND. CONSULT OPERATOR MANUAL FOR ADDITIONAL INFORMATION.
240-5020

240-5020
DECAL, STARTING

CAUTION HOT
210-5041

210-5041
DECAL, MUFFLER HOT

CAUTION
EYE AND EAR PROTECTION REQUIRED
SP8-5041

SP8-5041
DECAL, CAUTION, EYE/EAR

THIS MACHINE UTILIZES A 4 STROKE ENGINE. DO NOT MIX OIL WITH GASOLINE. CHECK CRANKCASE OIL LEVEL AS RECOMMENDED IN THE OPERATOR MANUAL.
240-5030

240-5030
DECAL, 4 STROKE

CAUTION
AVOID INJURY
READ AND UNDERSTAND OWNER'S MANUAL BEFORE OPERATING THIS PRODUCT. DETERMINE YOUR ADEQUATE PROPER PHYSICAL STATURE AND CONDITION TO OPERATE THIS MACHINE.
210-5021

210-5021
DECAL, CAUTION, AVOID INJURY



GECD-5050
DECAL, FAMILY OWNED, AMERICAN

Auger-LOK Procedure
• Stop engine.
• Rotate, drop and lock Auger-LOK pin to fully engage transmission gear.
• Rotate Hole Digger counter-clockwise by hand until auger has been freed.
• Rotate, lift and lock Auger-LOK pin to fully disengage transmission gear.
• Confirm auger is free of obstructions before returning to dig.
235-5020

235-5020
DECAL, LOCK, AUGER

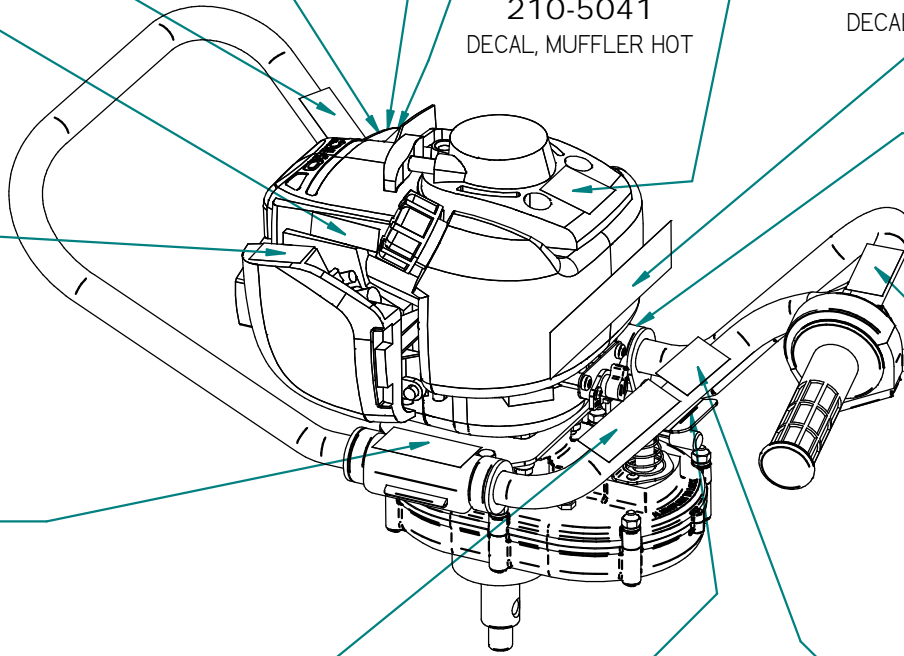
MACHINE WEIGHT LESS AUGER
20 LBS (9 Kg)
240-5080

240-5080
DECAL, WEIGHT

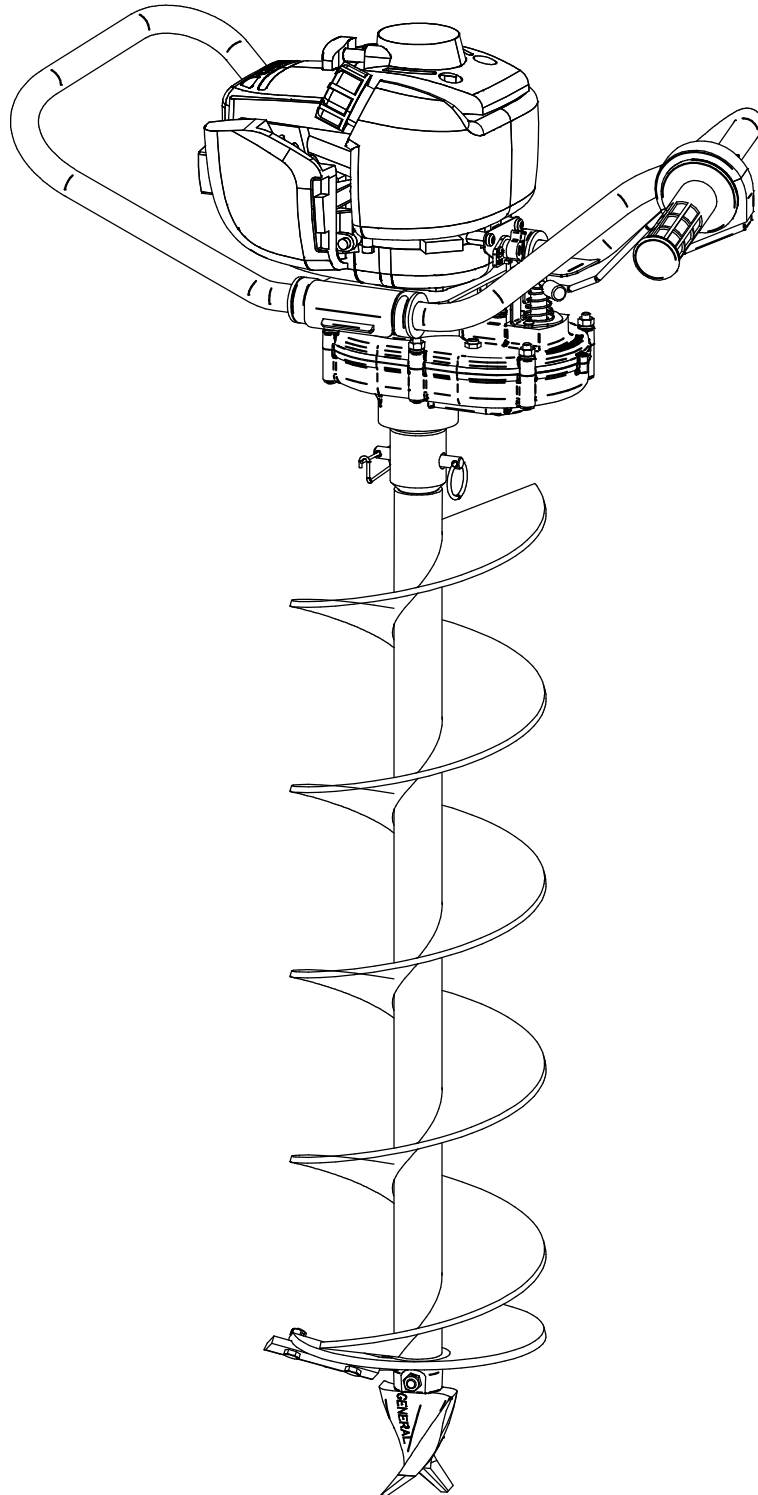
*ON TRANSMISSION LOCK PLATE

811
Know what's below. Call before you dig.
240-5100

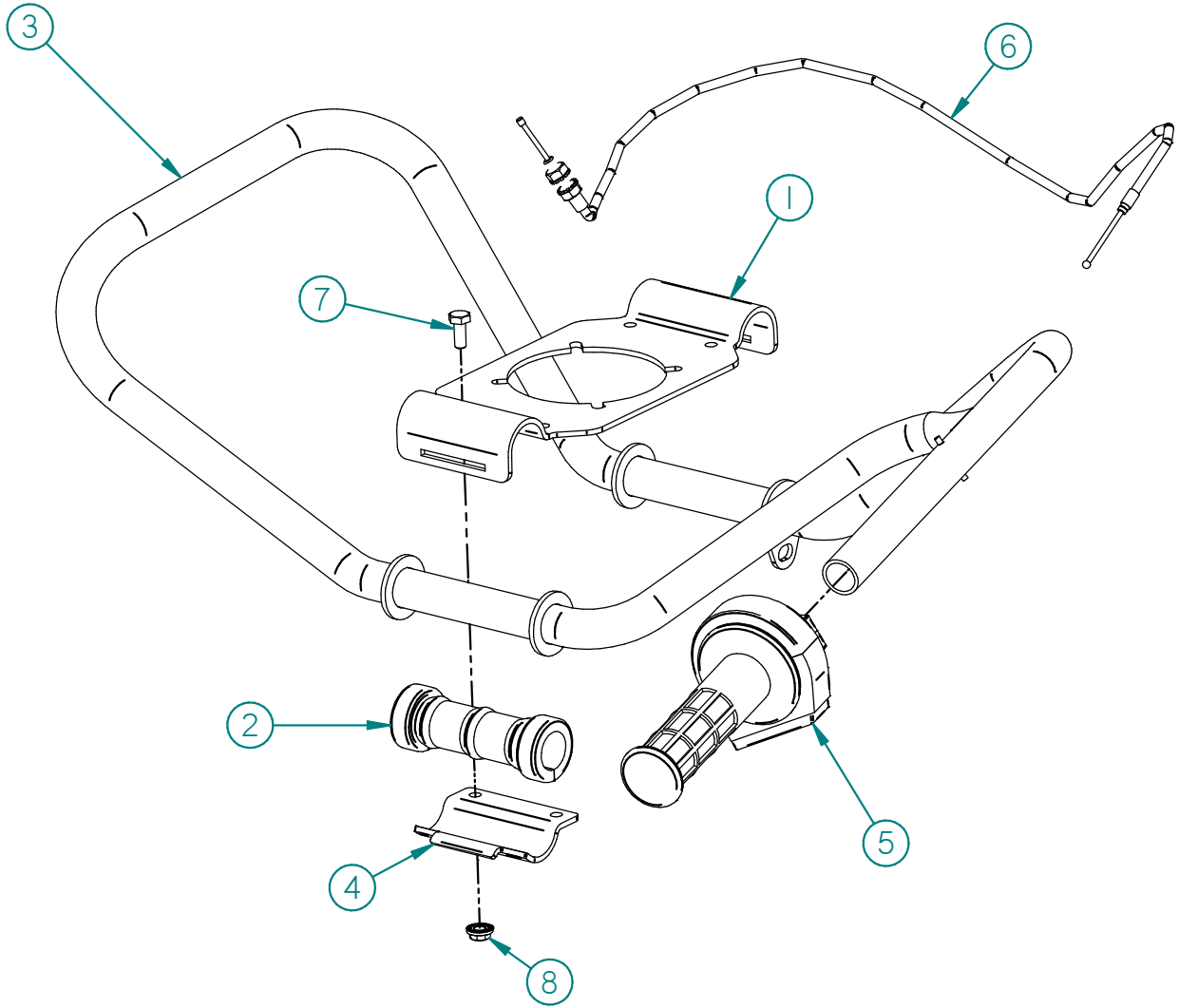
240-5100
DECAL, 811



*Replacement Parts Diagram
242H Hole Digger
Equipped With Honda GX35 Engine*



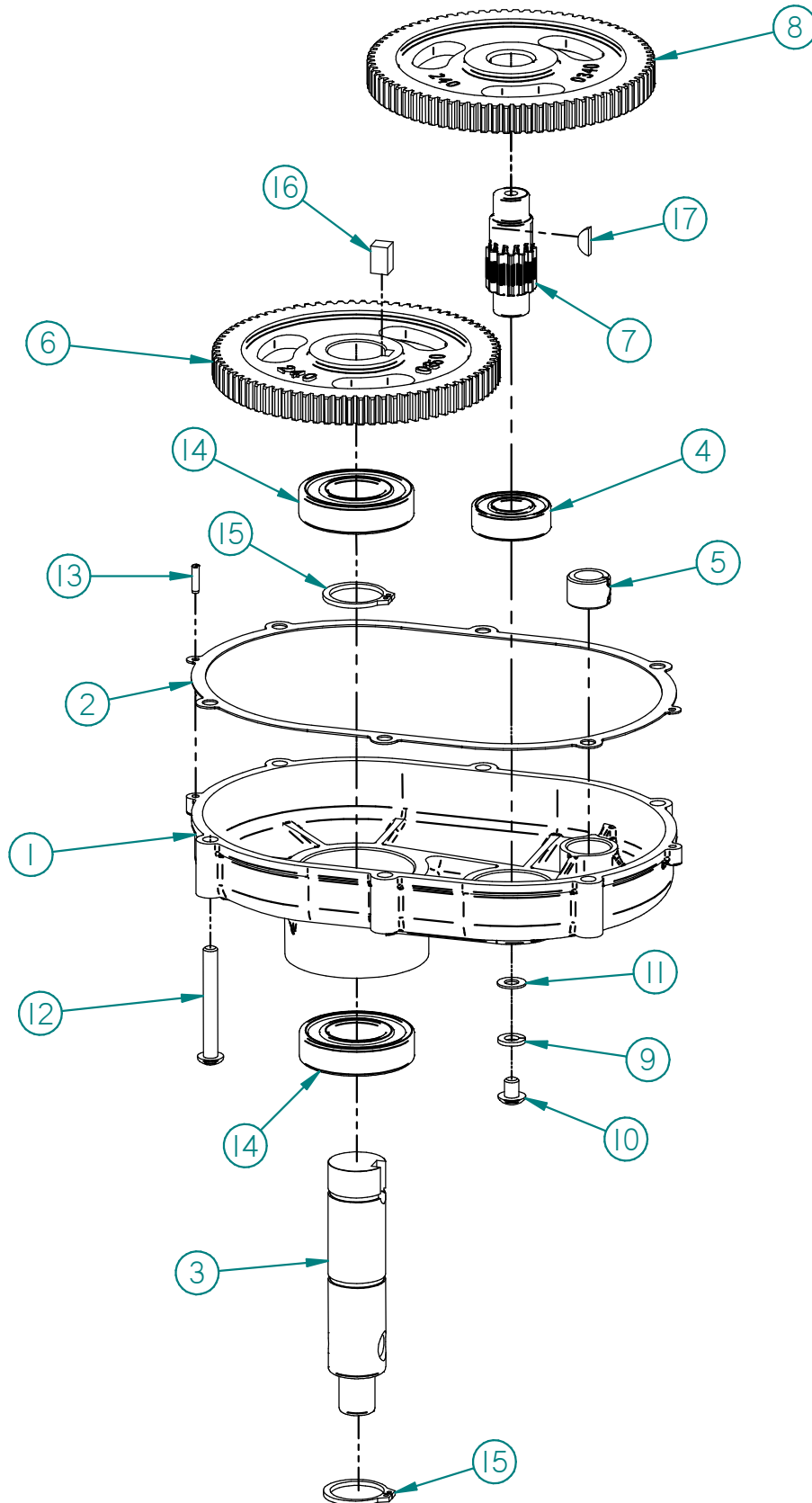
*Replacement Parts Diagram
Operator Handle Assembly
242H Hole Digger
[Beginning with Serial Number 174809]*



*Replacement Parts Diagram
Operator Handle Assembly
242H Hole Digger
[Beginning with Serial Number 174809]*

Reference Number	Part Number	Description	Quantity
1	242-0050	Bracket, Handle	1
2	242-0070	Bushing, Isolator, Handle	2
3	242-0090	Weldment, Handle, Operator	1
4	242-0060	Clamp, Handle	2
5	310-0030	Assembly, Control, Throttle	1
6	240H-0080PAK2	Pak2, Cable, Throttle	1
7	15040500	HHCS, 1/4-20 X 5/8, ZY	4
8	86040000	Nut, Hex, Flange, 1/4-20, ZY	4

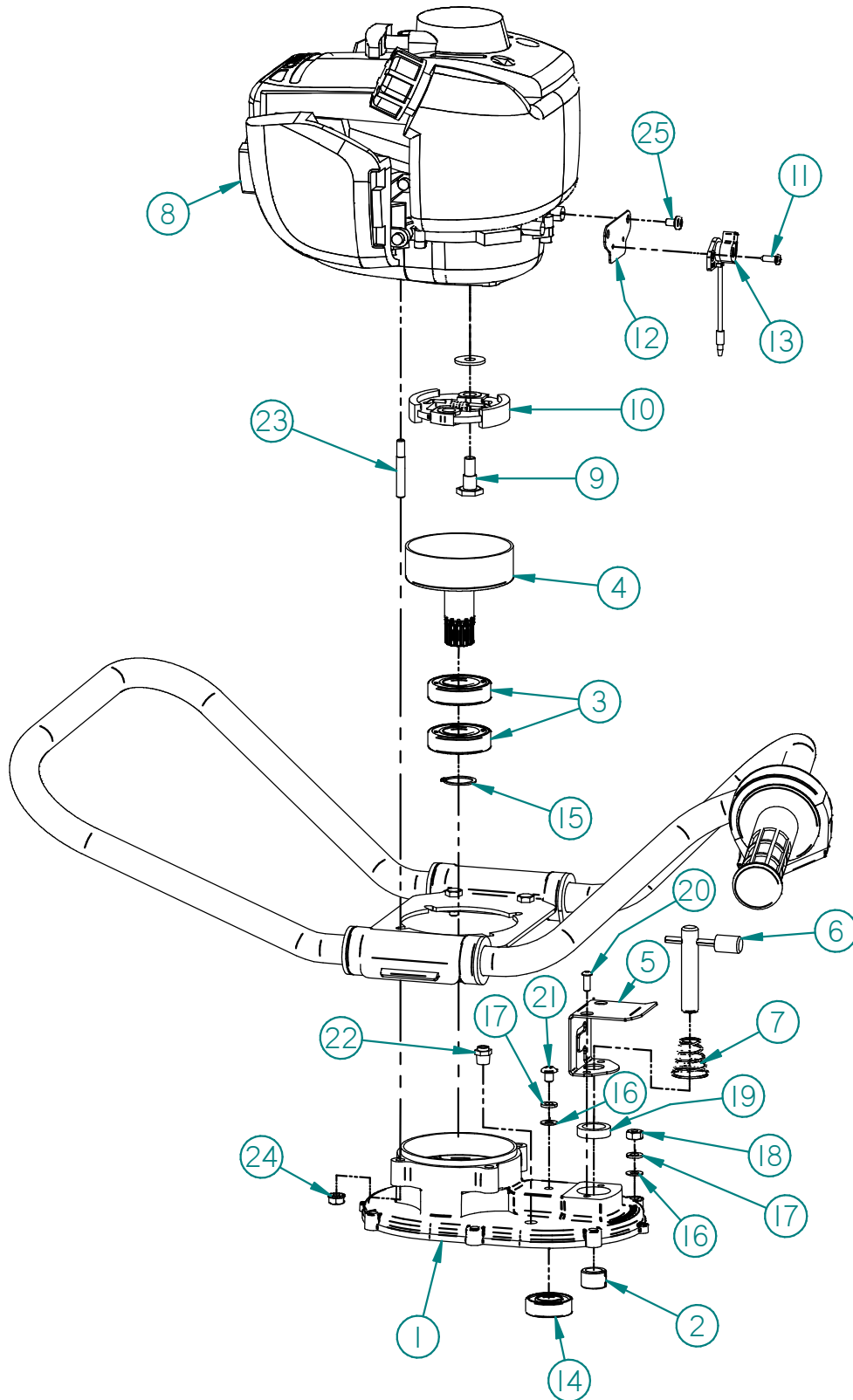
*Replacement Parts Diagram
Transmission Case Assembly
242H Hole Digger
[Beginning with Serial Number 174809]*



*Replacement Parts Diagram
Transmission Case Assembly
242H Hole Digger
[Beginning with Serial Number 174809]*

Reference Number	Part Number	Description	Quantity
1	242-0120A	Assembly, Case, Transmission, (Includes Ref. 4, 5 & 14)	1
2	240-0100PAK2	Pak2, Gasket, Transmission	1
3	242-0330	Shaft, Drive, 1RD	1
4	99502H	Bearing, Ball	1
5	235-0140	Bushing, Spring-Type	1
6	240-0350	Gear, Secondary	1
7	210-0310	Gear, Pinion, Secondary	1
8	240-0340	Gear, Primary	1
9	16040000	Washer, Lock, 1/4, ZY	1
10	37040200	PHMS, 1/4-20 X 5/16, ZY	1
11	AN-960-416L	Washer, Flat, 1/4, ZY	1
12	34041600	Phrhms, 1/4-20 X 2, ZY	6
13	51020400	Pin, Dowl, 1/8 X 1/2	2
14	99R16	Bearing, Ball	2
15	5160-98	Ring, Snap	2
16	63050400	Key, Drive, Square, 5/16 X 1/2	1
17	3	Key, Woodruff, Alloy	1

*Replacement Parts Diagram
Transmission Cover Assembly
242H Hole Digger
[Beginning with Serial Number 174809]*



*Replacement Parts Diagram
Transmission Cover Assembly
242H Hole Digger
[Beginning with Serial Number 174809]*

Reference Number	Part Number	Description	Quantity
1	242-0130A	Assembly, Cover, Transmission, (Includes Ref. 2, 3 & 14)	1
2	235-0140	Bushing, Spring-Type	1
3	FCS16-0331	Bearing, Support	2
4	242-0160	Drum, Clutch	1
5	235-0230	Plate, Pin, Lock	1
6	235-0220	Assembly, Pin, Lock	1
7	235-0110	Spring, Pin, Lock	1
8	GX35NTT3-BLK	Engine, Honda, GX35	1
9	240-0180	Screw, Cap, Retaining, Clutch	2
10	240-0170	Assembly, Rotor/Shoe, Clutch	1
11	240H-0340	Screw, Phillips, #8-12, Z	2
12	240H-0360	Bracket, Switch, ZY	1
13	240H-0350PAK2	Pak2, Switch, Engine, On/Off	1
14	99502H	Bearing, Ball	1
15	5100-088	Ring, Snap, External	1
16	AN-960-416L	Washer, Flat, 1/4, ZY	7
17	16040000	Washer, Lock, 1/4, ZY	7
18	18040000	Nut, Hex, 1/4-20, ZY	6
19	471442	Seal, Oil	1
20	55030400	BHSCS, #10-24 X 1/2, ZY	2
21	37040200	PHMS, 1/4-20 X 5/16, ZY	1
22	5677	Valve, Relief	1
23	240-0200	Stud, Mounting, M6 X 1/4-28	4
24	12040001	Nut, Hex, K-Lock, 1/4-28, ZY	4
25	90050-ZE1-000	PHST, M5 X 8, Z	2