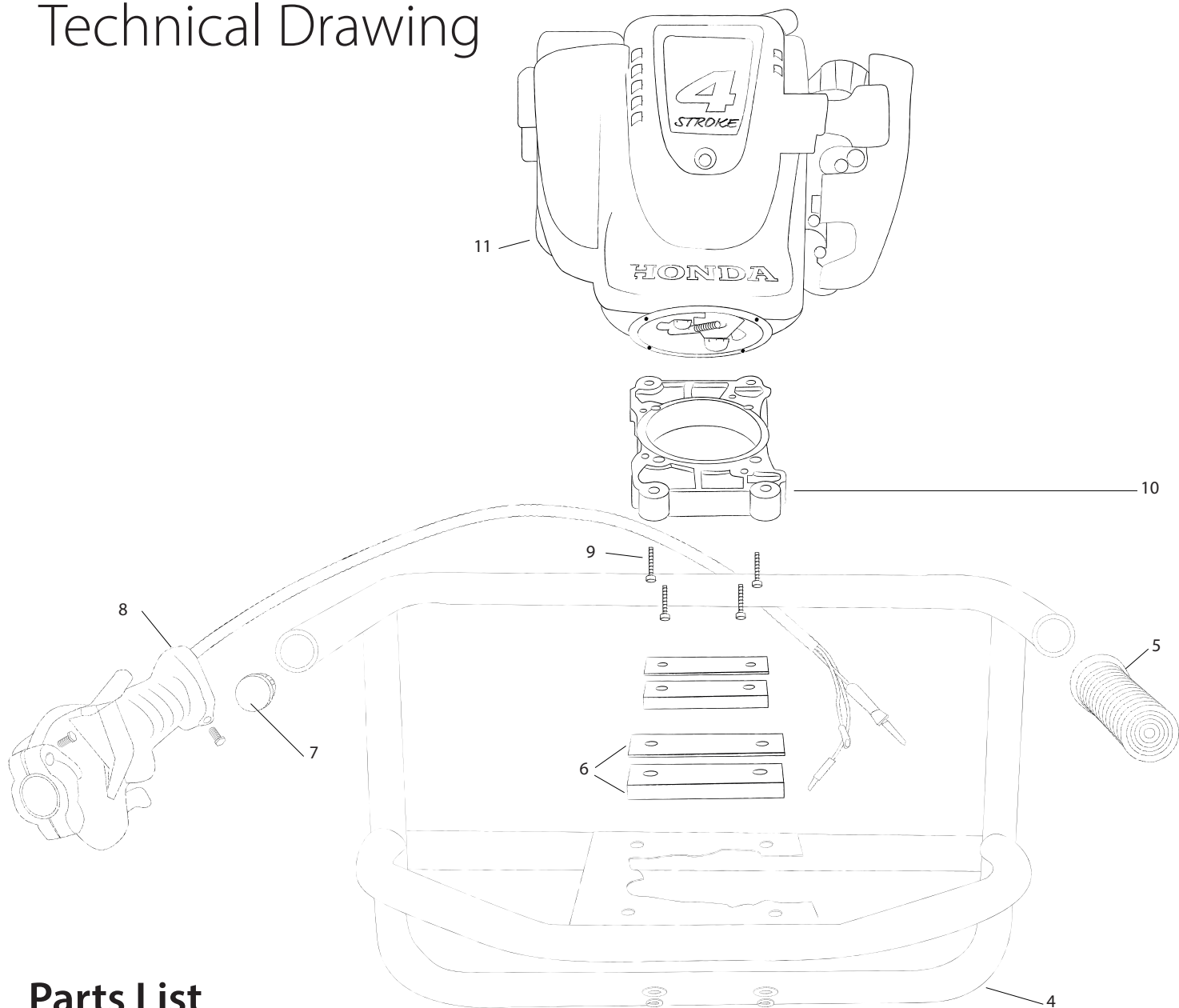


EGI EJ520

Technical Drawing



Parts List

1	Gearbox bolt	EJ20441
2	Gearbox	EJ20442
3	Mount plate screw	EJ20443
4	Machine frame	EJ20444
5	Handle grip	EJ20445
6	Anti vibrating set	EJ20446
7	End cap	EJ20447
8	Throttle handle incl. cable	EJ20448
9	Body screws	EJ20449
10	Gearbox mount plate	EJ20450
11	Honda GX35 engine	EJGX35

