

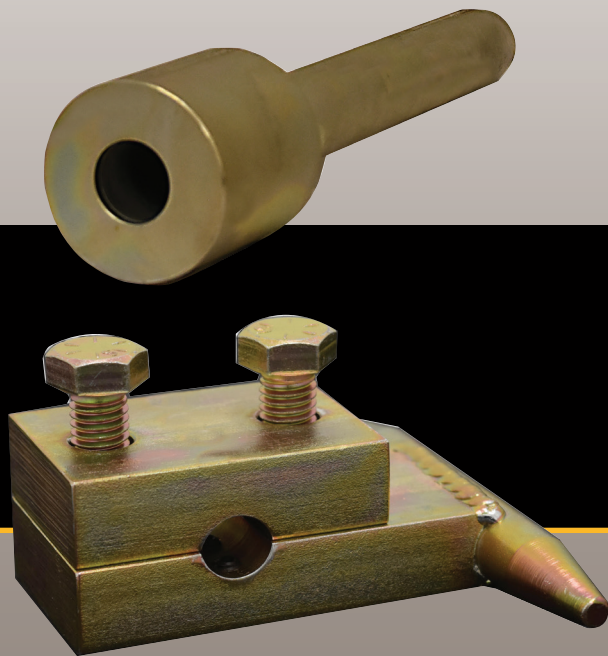


Pro Series™

Ground Rod Installation Tool

OWNERS MANUAL

MODEL: 300940



TAKE SAFETY SERIOUSLY

This book contains important safety information.
Please read it carefully.



This owner's manual is considered a permanent part of the tool and should remain with the tool if resold, rented or loaned.

Your safety, and the safety of others, is very important. The proper and safe use of your Rhino® tool is an important responsibility and should be taken seriously.

Keep this owner's manual available, so you can refer to it at any time. This owner's manual is considered a permanent part of the tool and should remain with the tool if resold.

The information and specifications included in this publication were in effect at the time of approval for printing. Rhino Tool Company, Inc. reserves the right, however, to discontinue or change specifications or design at any time without notice and without incurring any obligation whatever. No part of this publication may be reproduced without written permission from:

Rhino Tool Company

To help you make informed decisions about safety, you will find important safety information in a variety of forms, including:

- Safety Labels on the tool
- Safety Messages Preceded by a safety alert symbol and one of three signal words, DANGER, WARNING, or CAUTION. These signal words mean:



DANGER

Immediate hazards that will result in severe personal injury or death.



WARNING

Hazards or unsafe practices that could result in personal injury.



CAUTION

Hazards or unsafe practices that could result in injury, product or property damage.

- Safety Headings such as IMPORTANT SAFETY INFORMATION.
- Safety Section such as POST DRIVER SAFETY.
- Instructions how to use this post driver correctly and safely.

CONTENTS

	Page
Safety Symbol Description	i
Table of Contents	ii
Introduction	iii
Rhino® Ground Rod Installation Tool and Post Driver Safety	1-2
Rhino® Ground Rod Installation Tool Operating Instructions	3-4
Rhino® Ground Rod Installation Tool Parts List	5
Rhino® Ground Rod Installation Tool & Post Driver Troubleshooting	7

INTRODUCTION

Congratulations on your selection of the Rhino® Ground Rod Installation Tool. We are certain that you will be pleased with your purchase. The success that you experience with this tool is dependent upon your knowledge and understanding of how to properly operate and care for your new tool.

As you read this manual, you will find information preceded by a NOTICE symbol. That information is intended to help you avoid damage to your post driver, other property, or the environment.

We suggest you read the warranty information fully and understand its coverage and your responsibilities of ownership.

When your Rhino® Tool needs scheduled maintenance or if you have a problem with your Rhino® Ground Rod Installation Tool, the technical service staff here at Rhino Tool Company is standing by to assist you if you require assistance. Our fully trained staff can direct you to the nearest Rhino Servicing Dealer.

Kindest Regards

The Rhino Tool Company Team



* Pro-Series Post Drivers sold separately.
Additional 1 inch adapter must be ordered to use with the Fence Pro Post Driver

The Rhino® Ground Rod Installation Tool is designed to work in conjunction with a gas powered post driver (sold separately) to drive ground rod easily and safely. Please refer to the Operators Manual that came with your Rhino Post Driver for additional safety and operation instructions specific to your post driver.

WARNING Uses, other than those intended, can result in injury to the operator as well as those around the operator. Damage to the surrounding area may result as well. This and any accessories are intended for use by professional installers. Never allow children to operate this tool. Most accidents can be prevented if you follow all instructions in this manual and on the post driver. The most common hazards are discussed below, along with the best methods to protect yourself and others.

DANGER **UNDERGROUND UTILITIES:**

Driving ground rod or post into an underground utility can be **EXTREMELY DANGEROUS**, exposing the operator and those around to potentially life threatening danger. Damage to surrounding property can also occur as a result of a ground rod or post being driven into an underground utility. Be absolutely certain that you are aware of all underground utilities in the area in which you intend to drive posts. Ensure that a certified locating service has identified all underground utilities prior to beginning your project. Failure to do so can be catastrophic. Underground utilities include but are not limited to: Electric, Gas, Telephone, Water, Sewer, TV Cable, Lawn Sprinklers, etc.



Call "JULIE" at 811 for locating services in the United States

DANGER **DO NOT** lend or rent your Rhino accessories without the instruction manuals. Be sure that anyone using it understands the

information in these manuals.

DANGER **DO NOT** use this accessory for any purpose other than driving ground rod into the ground. Misuse may result in personal injury or property damage, including damage to the machine.

WARNING **Minors should never** be allowed to use this tool. Bystanders, especially children, and animals should not be allowed in the area where it is in use.

WARNING **DO NOT** operate the Ground Rod Installation Tool unless the operator is wearing safety glasses, safety shoes, hearing protection, gloves or any other safety equipment advised by, ANSI, NIOSH, OSHA, or any other safety regulatory agency, or the employer or the owner of this tool.

WARNING **Hearing protection is required**

as the post driver emits noise at 100 dB level. Bystanders should, at a minimum, wear safety glasses and hearing protection while in the presence of this power tool during operation. If not wearing protective gear, bystanders should keep a distance of 20 feet (6.00m) from the post driver while in operation.



WARNING Prolonged use of a power tool (or other machines) exposing the operator to vibrations may produce white finger disease (Raynaud's phenomenon) or carpal tunnel syndrome. These conditions reduce the hand's ability to feel and regulate temperature, produce numbness and burning sensations and may cause nerve and circulation damage and tissue necrosis.

Not all factors contributing to white finger disease are known, but cold weather, smoking and diseases or physical conditions that affect blood vessels and blood transport, as well as high vibration levels and long periods of exposure to vibration are mentioned as factors in the develop-

ment of white finger disease. In order to reduce the risk of white finger disease and carpal tunnel syndrome, please note the following:

- Wear gloves and keep hands warm.
- Ensure that any grip or vibration dampening system on tools are in good working condition.
- Ensure the tool has no loose components. Loose components lead to high vibration levels.
- Maintain a firm grip at all times, but do not squeeze the handles with constant, excessive pressure. Take frequent breaks.

All of the above mentioned precautions do not guarantee that you will not sustain white finger disease or carpal tunnel syndrome. Therefore, continual and regular users should closely monitor the condition of their hands and fingers. If any of the above symptoms appear, seek medical advice immediately.



WARNING DO NOT modify

power tools or this Rhino accessory in any way.



WARNING DO NOT put anything other than the Rhino® Ground Rod Drive Cap or properly sized post into the chuck on the post driver.



WARNING DO NOT operate your post driver unless it is on a post to be driven. Engaging the trigger or dry-firing of the driver without it driving on a post could damage the post driver.



CAUTION SURROUNDINGS: This power tool emits noise at 100 Db or more, which may be disturbing to animals and livestock. Ensure prior to operation, that any livestock are cleared from the operational area so as not to become a safety hazard.

Your Rhino® Ground Rod Installation Tool is an efficient and effective tool developed to tackle a challenging and time consuming task, driving ground rod.

With proper care and maintenance, your Rhino® Ground Rod Installation Tool will give you many years of trouble free service.

It is very important to understand that a post driver is a powerful machine. You must read and understand your post driver operating instructions before using the post driver or any accessory in conjunction with the post driver. It is also very important that you make sure all operators are trained to operate your post driver safely. If you or any operator doesn't understand any of the instructions in this manual, call Rhino Tool Company at 866-707-1808 or 309-853-5555 and we will answer any questions you may have, or visit our website at www.rhintool.com to locate your nearest Rhino dealer or distributor.

Visually inspect your Ground Rod Installation Tool before use. The interior of the chuck tube should be checked for obstructions, damage or wear. The outer surfaces of the driver should also be inspected for any defects. Do not use any accessories if there is any damage or wear until the damage or wear is corrected and repaired.

INSTALLING / DRIVING GROUND ROD USING THE GROUND ROD INSTALLATION TOOL

Start by loosening the bolts on the Ground Rod Installation Tool so that the two tool blocks come apart enough to slide the

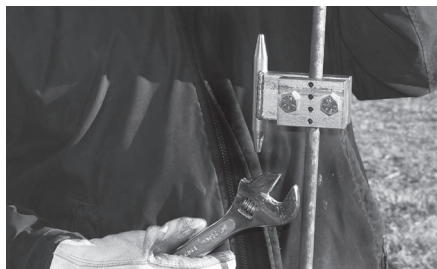


Fig. 6

Chart 1

Grade	Thread Size	Max. Torque Ft. Lbs.	
		Dry	Lubed
8	1/2-13 UNC	105	80

ground rod between the blocks. Once the rod is aligned in the concave area between the blocks, make sure the block is in a position where the operator can easily set the post driver and the Ground Rod Installation Drive Cap on top of the metal guide pin on the side of the Ground Rod Installation Tool. Use a 7/8" wrench to tighten down the bolts once the block is positioned. **(Fig 6)**

NOTE

DO NOT OVER TIGHTEN.

Use Bolt Torque Specs shown **(Chart 1)**. Once the bolts are properly tightened, insert the ground rod and ground rod installation tool into the ground vertically. Set the Ground Rod Installation Drive Cap on top of the metal guide pin on the side of the Ground Rod Installation Tool. **Fig. 7**



Fig.7

With the ground rod in the ground and the Ground Rod tool accessory tight on the rod, make sure the operator holds the post

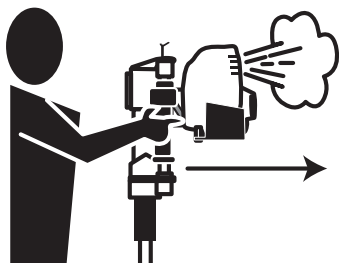


Fig. 8

driver with their left hand on the foam grip and their right hand on the throttle. This will position the driver to direct the

engine exhaust away from the operator. (Fig 8) (See Exhaust Warning)

NOTE The above process will need to be repeated to relocate the Ground Rod Driver Tool until the rod is driven completely into the ground.

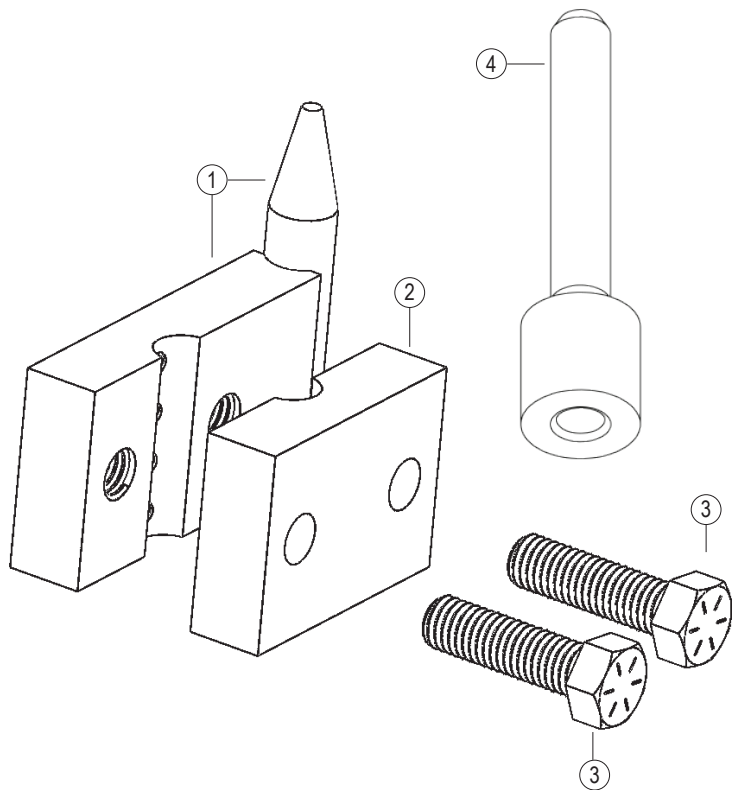
WARNING **PROPERLY SIZED ADAPTER RECOM-**

MENDED for driving up to 3/4" (19mm) ground rod. The Pro-Series™ line of drivers are designed with the Rhino® Quick Lock Adapter System. Using the correct adapter will align the rod and post to the optimum striking position. This prevents the ground rod from loosely fitting in the chuck and being difficult to drive. Simply insert the adapter inside the chuck tube and use the locking system instructions that came with the post driver. See the parts list in the owner's manual that came with your post driver to specify available 1" (25.4mm) adapters needed for that post driver model. Make sure that your post driver has the proper adapter.

READ THE OPERATING INSTRUCTIONS before using any post driver with the Rhino Ground Rod Installation Tool. Check that the end of the ground rod to be driven is in the correct location on the ground that has been identified by a locating service to be free of obstructions. Position the driver aligned and centered on the Ground Rod Drive Cap. If not aligned properly, damage could be caused to the driver or the rod. Apply steady downward pressure to the handles and apply enough throttle to engage the clutch and hammer. Once you are confident that the rod is driving straight, apply full throttle to the driver until the rod is driven to the desired depth. Release the trigger dropping the engine RPM back to idle before removing from the rod. When the engine has returned to idle, proceed to the next rod repeating the previous method of driving a ground rod.

For Service, refer to the Service Instructions included in your Post Driver Owner's Manual.

RHINO® GROUND ROD INSTALLATION TOOL PARTS



No.	P/N	Name
1	300945	Ground Rod Installation Tool Block (Large)
2	300946	Ground Rod Installation Tool Block (Small)
3	300952-4	1/2-13 x 1-3/4" Gr 8 Hex Cap Screw
		1/2-13 x 1-3/4" Gr 8 Black Oxide Socket Head Screw
4	300944	Ground Rod Installation Tool Drive Cap
	300951	Ground Rod Installation Tool Owner's Manual
	300940	Ground Rod Installation Kit (Tool and Drive Cap)
Accessories		
	300500	Rhino® Pro Series Lubricant
Bolt Torque Specifications		
3	300952-4	1/2-13 x 1-3/4" Gr 8 Hex Cap Screw – 105 ft/lbs (142 Nm)

NOTES

Call your local dealer, service center or Rhino Tool Company for further assistance.

TROUBLE SHOOTING

Symptom	Explanation/Procedure
Drive Cap for Ground Rod Installation Tool lodged in the driver	<p>Please be aware that the Drive Cap fits tightly in the 1 in adapter chuck. If the drive cap becomes lodged within the adapter chuck, follow these steps:</p> <p>Turn engine off. If operating the Ranch Pro (GPD 30) Model remove the adapter locking pin and lift up on the post driver to slide the adapter off the drive cap post. If operating the Fence Pro or Multi-Pro models, unscrew the large Chuck Lok Nut at the bottom of the post driver chuck and release the 1" Break-Away Chuck Lok Adapter to free the ground drive cap. For any other post driver refer to the owners manual that came with the driver.</p>
Drives slow or sluggish engine performance:	<p>Typically this is resulting from improper driver storage or over-filling the oil causing the oil to seep into the combustion chamber. Position the driver vertically, remove the dipstick to check oil level. If you need to remove some oil, dispose of it properly. Refer to the engine manual that came with the post driver.</p>
Pull-start is frozen or hard to pull:	<p>Refer to your engine manual. This typically results from oil seeping into the combustion chamber from improper driver storage or overfilling the oil reservoir of the engine. Remove spark plug and pull hand grip several times until it pulls freely. Replace the spark plug. Check the oil level in oil reservoir to ensure proper level. Follow starting procedure shown in the engine manual that came with your post driver. It is not unusual, for blue smoke to be emitted from the engine, let the engine run until smoke clears.</p>
Proper Storage:	<p>Do not lay horizontally on the driver side or resting on the engine. If the unit cannot be stored securely in the upright position, place the chuck on a flat surface, leaning toward the engine side until it is supported by the shroud and chuck. Position the driver on an angle with the top handle at the topmost point.</p>
Other problems or technical questions	<p>Other problems or technical questions: Document your serial number and contact Rhino Tool Company. Phone: 309.853.5555 or Toll Free 866-707-1808, Fax:309.856.5905, Email: service@rhinotool.com.</p>



A TRADITION OF QUALITY AND SERVICE SINCE 1975

WWW.RHINOTOOL.COM

Form 300951.09.2019

Rhino Tool Company, Inc. | P.O. Box 111 | Kewanee, IL 61443