

MARUZEN

HYDRAULIC POWER UNIT

MODEL UH130

OPERATING MANUAL



CAUTION

FOR THE SAFETY PURPOSE, PLEASE READ THIS MANUAL THOROUGHLY BEFORE ATTEMPTING TO USE THIS POWER UNIT. ANY FALES OPERATING PROCEDURES WILL CAUSE DAMAGES OF THE MACHINE. ALWAYS KEEP THIS MANUAL TO AN EASILY ACCESSABLE PLACE.



MARUZEN KOGYO CO., LTD.

(Revised of June 1st 2015)

FOREWORD

This manual is an important part of your equipment. It provides rules and guidelines which will help you use this machine safely and effectively. You **MUST** familiarize yourself with the functions and operations by reading the manual thoroughly before you begin using this machine. For your safety, it is especially important that you read and observe all precautions in this manual and labels on the machine. The precautions **MUST** be followed strictly at all times when performing operation and maintenance. * Fail to follow the guidelines and safety alerts in the manuals and on the machine, or use this machine in alternative ways from the manuals may result in system failure or serious personal injury.

Keep this manual with the equipment or in an easily accessible place in all times for future reference. Make sure all personnel involved in working on this machine can consult it periodically. In case this manual should be lost or damaged, immediately contact us or your dealer to purchase a new copy.











We recommend you always use Maruzen genuine components and parts. Replacing components and parts from other sources may cause damages to this machine and endanger operators.

MARUZEN KOGYO CO., LTD.
155-8 NAGABUSE, MISHIMA-SHI,
SHIZUOKA-KEN, 411-0824, JAPAN

CONTENTS

Safety Information	4 ~ 8
Safety Alert Classifications	5
Safety Alerts	6 ~ 8
Introductions	9
Specifications	10
Descriptions	10
Precaution Labels and Positions	11
Guidelines	12 ~ 13
Operation	14 ~ 17
Before Starting the Engine	14
Starting the Engine	15 ~ 16
Operating	16 ~ 17
Stop	18 ~ 19
Maintenance	19 ~ 20
Daily Inspection	19
Periodically Inspection	20
Troubleshooting	21 ~ 23
Exploded View I (Frame)	24
Parts List I (Frame)	25
Exploded View II (Pump and Cooler)	26
Parts List II (Pump and Cooler)	27
Exploded View III (Tank)	28
Parts List III (Tank)	29
Engine	30

SAFETY ALERT SYMBOLS

	Read the operating manual thoroughly and understand it before operation
	Wear protective goggle
	Wear hearing protection
	Wear protective mask
	Wear helmet
	Wear protective gloves
	Wear protective boots
	Don't touch the spouted high pressure oil directly
	Don't touch it directly
	Do not smoke or use any flame

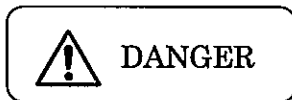
SAFETY INFORMATION

To enable you to use this machine safely, safety precautions and labels are given in this manual and affixed to the machine to give explanations of situations involving potential hazards and of the methods of avoiding such situations.

SAFETY ALERT CLASSIFICATIONS

The following safety alert symbols are used to inform you that there is a potential hazardous situation that may lead to personal injury or damage.

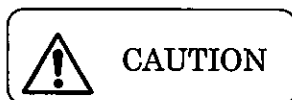
In this manual and on machines labels, the following safety alert symbols are used to express the potential level of hazard.



Indicates an imminently hazardous situation which, if not avoided, could result in death or serious injury.



Indicates a potentially hazardous situation which, if not avoided, could result in death or serious injury.



Indicates a potentially hazardous situation which, if not avoided, could result in minor or moderate injury.

**** Safety alert symbols are to emphasize all operation which, if not strictly followed, could result in a life-threatening situation, bodily injury or damage to equipment.**

SAFETY ALERTS

DO NOT OPERATE THE MACHINE UNLESS THE FOLLOWING SAFETY INSTRUCTIONS HAVE BEEN THOROUGHLY READ AND UNDERSTOOD!



CAUTION

Read the operation manual and engine manual thoroughly and understand the function and operations well before using this machine.



WARNING

Before operating the equipment, be sure to wear personal protective equipments such as follows:

1. Helmet
2. Protective goggles
3. Protective boots
4. Safety gloves
5. Hearing Protection



WARNING

Do not operate the equipment if you are or if your

1. taking medication, feeling drowsy, feeling unwell or feeling tired.
2. under the influence of drugs or alcohol.
3. hands, feet, lower back or other parts of your body hurt or being injured.

* Failure to observe this precaution can result serious injury or even death.

**CAUTION**

Do not touch the machine with your bare hands

1. The unit may become hot under continuous running.
Do not touch the unit with your bare hands.

2. Tools may become hot under continuous use, make sure to wear gloves before any contact with the tools.

* Failure to observe this precaution can result getting burned

**CAUTION**

When lending someone the equipment

Make sure the safety instructions have been thoroughly read and fully understood by the person who is going to use the equipment.

**WARNING**

Operating in a well – ventilated area

1. Always operate the machine in a well – ventilated area.
2. While operating indoor, always ventilate the room.

Failure to observe this precaution can result gas inhalation or even death.

**DANGER****Fire Prevention: Avoid flammable goods**

1. Do not smoke or use any flame near fuel or oil.
2. Stop the engine before refueling and refuel in ventilated area.
3. Don't spill fuel when refueling. When spill the fuel, wipe out it clean and dry. Don't over refuel.
Turn off the fuel cap tightly after refueling.

Failure to observe this precaution can result fire, explosion which can even cause death.

**CAUTION****Do not operate the equipment on a slope.**

1. Do not operate the equipment on a slope.
2. When operate the equipment on an uneven ground, make sure to lock the wheels.

Failure to observe this precaution can result serious injury

**CAUTION****Do not use the equipments not fit to the flow range of this power unit.**

Failure to observe this precaution can result serious injury

**CAUTION****Do not change the flow of power unit during operation.**

1. Don't change the flow of power unit during operation.
2. When it needs change of flow, always turn "ON" "OFF" valve to OFF position and change the flow.

Failure to observe this precaution can result serious injury

INTRODUCTION

This power unit is designed to be used as power source for the following our handheld equipments:

Set up flow	Maruzen tool	Recommendable Model Name
20L/min	Hyd. Breaker	BH051(051V), BH201, BH23K etc
25L/min	1) Hyd. Breaker 2) Hyd. Rock Drill 3) Hyd. Auger Drill 4) Hyd. Water Pump 5) Hyd. Concrete Cutter 6) Hyd. Pile Driver	BH112(112V), BH163(161V), BH222, BH280 etc DH204, DH205 etc OH-1, AY01H etc PH300 CH130 KH192, KH183. KH651
30L/min	Other 30L version tools	

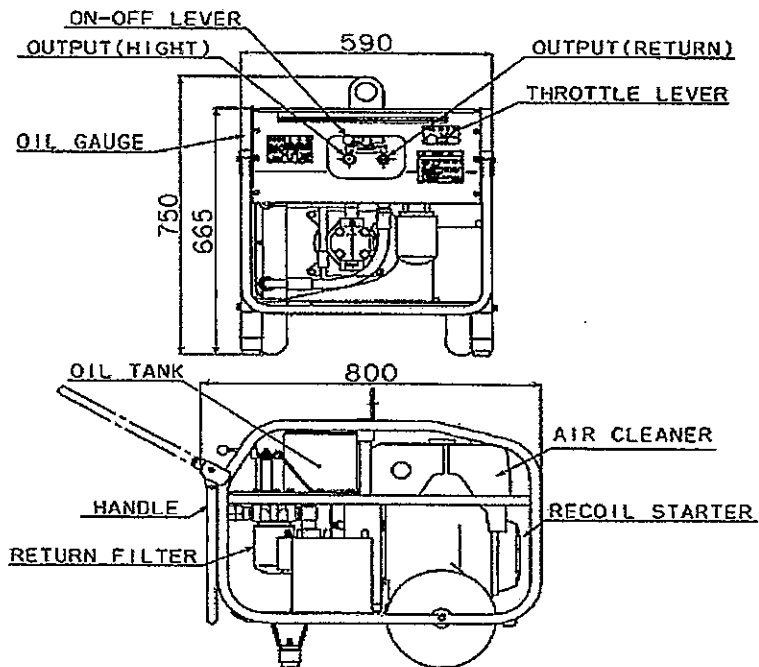
DO NOT operate this power unit on the following situations:

1. Close by inflammable objects or close by objects which catch fire easily.
2. Underground, or any places which are not well-ventilated.
3. At high altitudes which exceeds 1,000m *(Consult with us or our service dealers if you have any questions regarding the matter.)
4. Use the equipment for purposes other than stated in this manual.

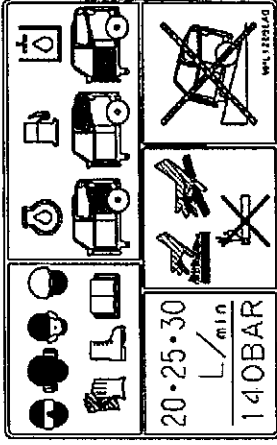
SPECIFICATIONS

Size	800x590x750mm
Weight	UH130-2: 88kg, UH130-2ES: 102 (dry)
Rated output	13.7Mpa
Oil Flow	20 · 25 · 30L/ min (3 mode select)
Engine	Honda GX390 max/8.7kw at 3600rpm(11.8HP)
Spark plug	BPR6ES(NGK), W20EPR-U(DENSO)
Fuel tank capacity	6.1L Non-lead gasoline
Hydraulic tank capacity	8L
Starter	UH130-2 Recoil, UH130-2GES: Electric/Recoil
Battery	UH130-2ES: 12V/18Amp
Connecting hose	1/2" x 10m (Standard)
Oil output port	3/8" Quick coupler
Hydraulic oil	ISOVG32 or 46 or equivalent
Others	Air cooled oil cooler

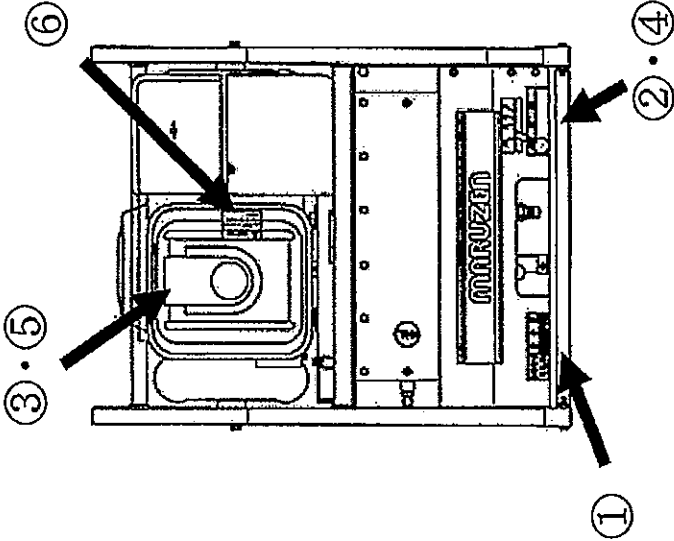
DESCRIPTIONS



PRECAUTION LABELS AND POSITIONS



①



⚠ CAUTION
 1. Before starting the engine, connect the hoses of the breaker with the cover unit and turn the control lever at "START" position.
 2. After starting the engine turn the control lever at "OFF/IDLE" position. At the time be careful that the breaker may hit once or twice.
 3. Be careful so that dust or mud cannot put into the couplings when connecting and disconnecting.

④

⚠ 注意
 1. 启动发动机时，请将液压力站与液压力站的接头相连接，将控制开关调至启动状态后，再启动发动机。
 2. 启动发动机，将控制开关调至作业状态，状态切换时，破碎锤的钎头会有1-2次打击震动，请注意。
 3. 拆接液压力油管时，请注意接头内不要进入尘土、泥等。

②

⚠ WARNING
 Gasoline is highly flammable and explosive. Turn engine off and let cool before refueling. The engine emits toxic carbon monoxide. Do not run in an enclosed area.
 Read Operator's Manual before operation.

⑤

⚠
 汽油容易起火及爆炸，加油前请关闭汽油机，并使之冷却。汽油机运转中会释放一氧化碳等有毒气体，请勿在密闭的空间中运转汽油机。
 使用前请仔细阅读使用说明书。

③

⚠ CAUTION
 HOT MUFFLER CAN BURN YOU. Stay away if engine has been running.

⑥

No.	MPL1Z096A	Part Name
①	MPL1Z096A	Label CR(Caution)
②	MPL1Z097A	Label CS(注意)
③	87516-ZK6-8000	Caution Label
④	MPL1Z063A	Label BP(Caution)
⑤	-	Engine Label(Warning)
⑥	-	Engine Label(Caution)

GUIDELINES

Following these guidelines before using this power unit:

1. Do not use the machine on slopes. When the machine is necessary to be used on slope, make sure the wheels are locked firmly.
2. Make sure that dirt, dust, and mud do not get into hoses while connecting and disconnecting the hoses.
3. When using new extension hose, hydraulic oil level of the tank will be down. Refill the oil of the tank accordingly.
4. Warm up the engine before using if the temperature is under 10°C.
5. Make sure there is no flammable object near the muffler of the exhaust system
6. Anything related to engine, such as adjustments, storage and etc., refer to Robin Engine owner's manual for more information.
7. In case of sudden hydraulic hose breakage or hydraulic oil spout out of the hose, STOP the power unit right away.
8. Don't change the oil flow when operating the tools. The change of flow must be done only by the throttle lever on front panel. Don't change the flow by engine throttle.
9. When connecting and disconnecting hoses, a small amount of hydraulic oil might slip out. Make sure the circumference does not contaminated by hydraulic oil. Always check the hydraulic oil volume before operating. Refill the oil if necessary.
10. Always check the volume of hydraulic oil and re-fill the oil if it is on short.
11. When stored for a long term over 1 month, drain all the fuel in engine and clean the dirt, dust or mud on engine.
12. When stored UH130-2ES for a long term over 1 month, always disconnect the wires of battery. To disconnect the wires, disconnect the minus (–) side at first. To connect the wire again, connect the plus (+) side at first.
13. Notices for handling of battery
 - 1) Battery fluid is dilute sulfuric acid. Be much care for handling. When the acid attaches on hands or clothes, wash them with much water. If the acid is into your eyes, wash up your eyes with flown water for over 15 minutes and a get medical check by

doctor.

- 2) Be much care not to connect the electric poles (plus+/minus-) and wires of battery reversely. If connected reversely, serious trouble may happen.
- 3) After connecting the wires on the poles of battery, always put the covers on them.

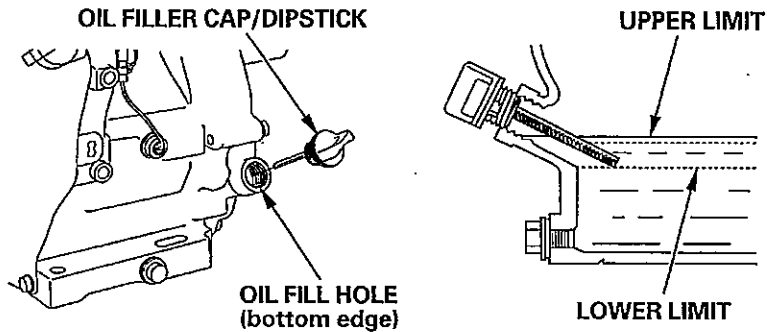
12. Use the hydraulic tools with this power unit within its specifications .

OPERATION

1. Before Starting The Engine:

(1) Engine Oil:

Check the engine oil level by oil gauge. Refill engine oil when the oil is below the min. level.



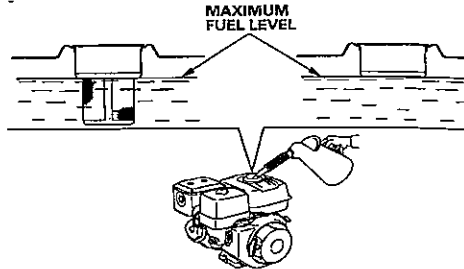
Capacity: 1.1L

(2) Hydraulic Oil:

Refill hydraulic oil when the oil level is below the oil indication window. Open the plug on the top of the hydraulic oil reservoir refill hydraulic oil till the oil level reach to the middle of the indication window. Recommended hydraulic oil: *ISO VG32 or 46* or equivalent.

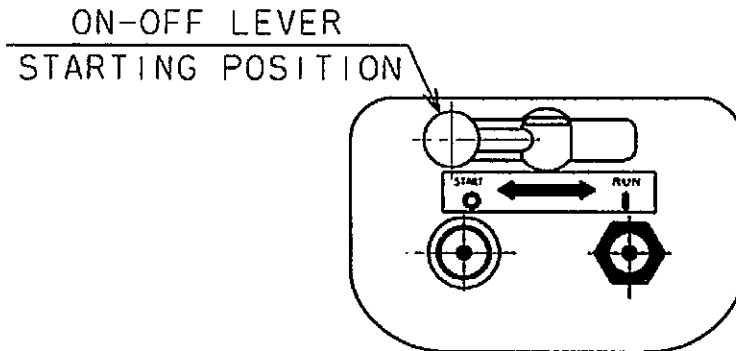
Capacity: 8L

- (3) Fuel:
 Refill gasoline into the fuel tank.
 Capacity: 6.1 L
 If there is any spilled gasoline, Wipe it out.

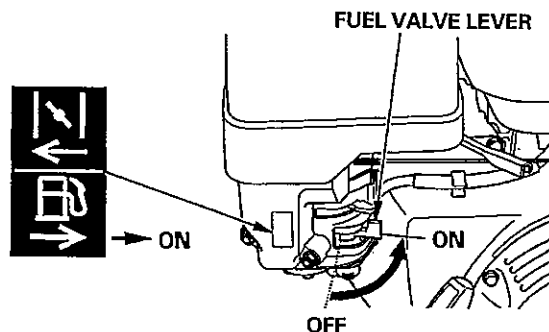


2. Start The Engine:

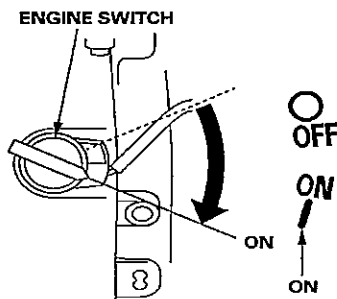
- (1) Attach power unit and equipment (breakers and etc) with connection hoses before starting engine.
 DO NOT start engine without connecting to equipment with hoses.
 MAKE SURE control lever indicates to "START ○" position.



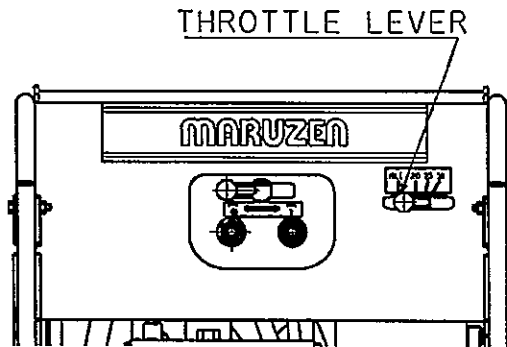
- (2) Start the operation
 ① Open the fuel cock.



- ② Turn the switch to “ I ” (ON) position.



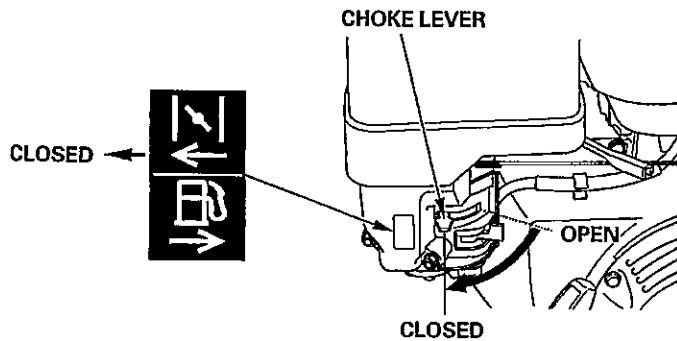
- ③ Shift the throttle lever from idling position to 20L position.



- ④ Close the choke lever.

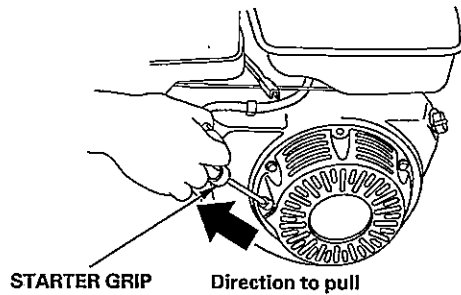
When to open the choke lever:

- When the weather is cold or when the engine is cold, close the choke.
- When the weather is warm or when starting the engine right after stopping, fully or partially open the choke.

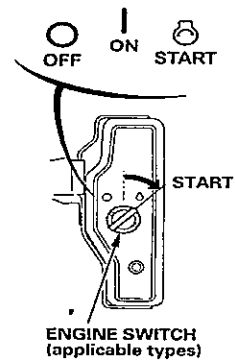


- ⑤ -1 UH130 : Pull start rope gradually. DO NOT pull the starter rope rapidly. While the rope is fully

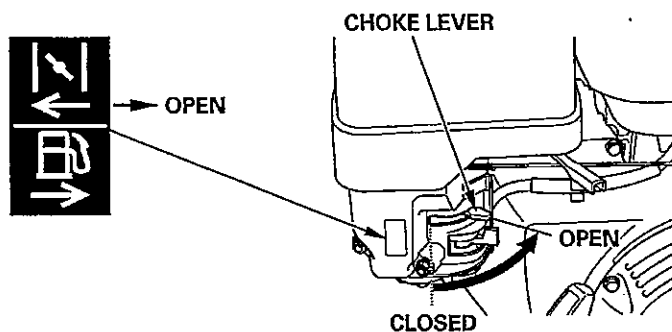
pulled, hold it in your hand. DO NOT release it from your hand. Hold the start rope till it returns to its original position.



- ⑤ -2 UH130ES : Turn the engine switch to start position and start engine with cell starter.



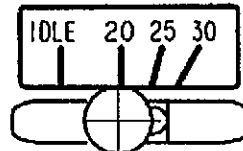
- ⑥ After starting the engine, open the choke lever.
- Open the choke gradually with corresponding to the engine's condition. But eventually, the choke should be fully opened.
 - When the weather is cold, engine might stop if you open the choke too rapidly.



3. Operating

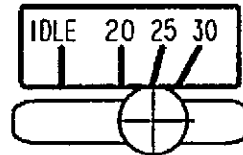
- (1) Turn the throttle lever to 20L, 25L, 30L already set up in our factory.

20L/min

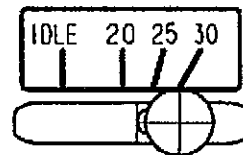


THROTTLE LEVER

25L/min

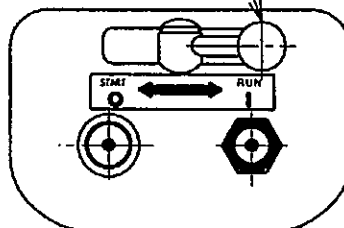


30L/min



- (2) Turn the ON-OFF lever to running position "T".

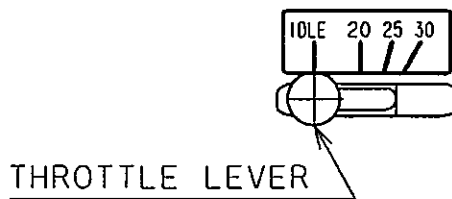
ON-OFF LEVER
RUNNING POSITION



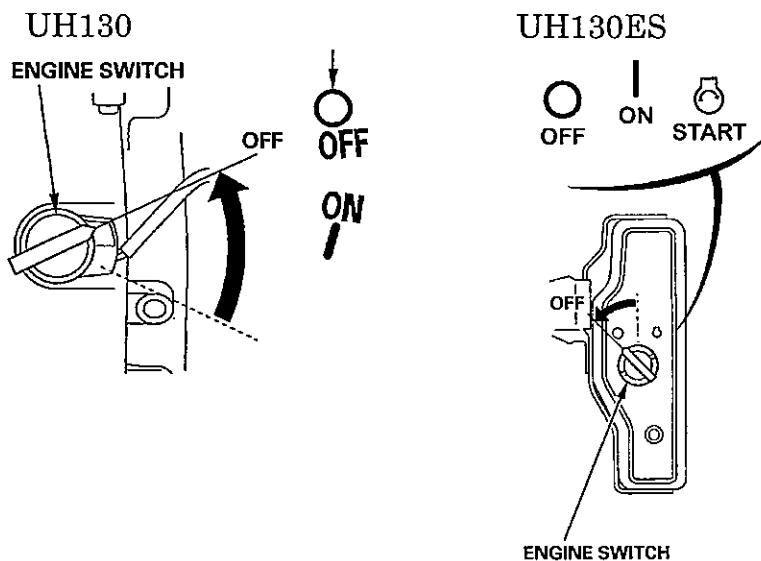
- (3) Operate the hydraulic tools. For the operation of each tool, read and follow the operation manuals of each tool. Read through all the operating manuals of hydraulic tools (breakers and etc) which you intended to use.

4. Stop

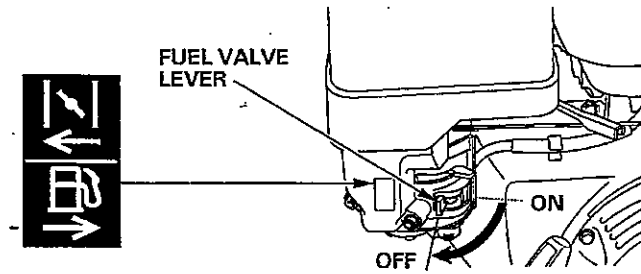
- 1) Turn the throttle to low speed and make it runs for 1 to 2 minutes.



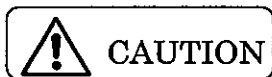
- 2) Turn the stop switch to OFF (O) position.



3) Close the fuel valve.



4) Detach the hoses which connected to hydraulic tools (breakers and etc)



The temperature of some parts of this power unit, tools, extension hoses may go high after being operated. Always ware gloves when operating.

MAINTANANCE

I. Daily Inspections

- (1) Check the engine oil level each time before starting the engine.
- (2) Make sure hydraulic oil is above the middle line on the indicator window. Refill hydraulic oil if necessary. (Recommended Hydraulic Oil: ISO VG32 or 46 or equivalent)
- (3) Clean the element of the air cleaner in the engine.
- (4) Make sure there is no oil leakage from the pump or hoses. Tighten up the hose joints and bolts if necessary.
- (5) Start the engine, make it runs in low speed (Idling) and make sure there is no abnormal sound and abnormal movement from the engine.
- (6) Check all the hoses of tools and extension if they are not scratches, damages or bent on them. Replace the hoses if necessary.

II. Periodically Inspections

For the purpose of keeping the power unit in a good condition, make sure the following maintenance items are done periodically.

	50H	100H	200H
Change engine oil	○*1		
Clean the air cleaner	○		
Clean the strainer			○
Clean the spark plug	○		
Change hydraulic oil		○(1)	
Replace cartridge filter			○
Clean the radiator		○(2)	
Clean the suction filter			○(3)
Clean of hydraulic tank			○
Checking of the voltage of battery*2	1-2 times every month(4)		

*1 first 20 hours * 2 UH130-2ES only

- (1) Draw out the hydraulic oil from the drain plug at the bottom of the oil tank.
Changing the hydraulic oil when the color of the hydraulic oil changed or when it smells burning. Always replace the same type of hydraulic oil.
- (2) Clean dust and dirt of radiator blowing away by air blower from outside.
- (3) Suction filter should be cleaned by non-lead gasoline.
- (4) Battery should keep the voltage within 13.5-12V(normal range). Voltage of battery will be decreasing gradually. When electric starter does not start even though recharged to the battery, replace it.

TROUBLESHOOTING

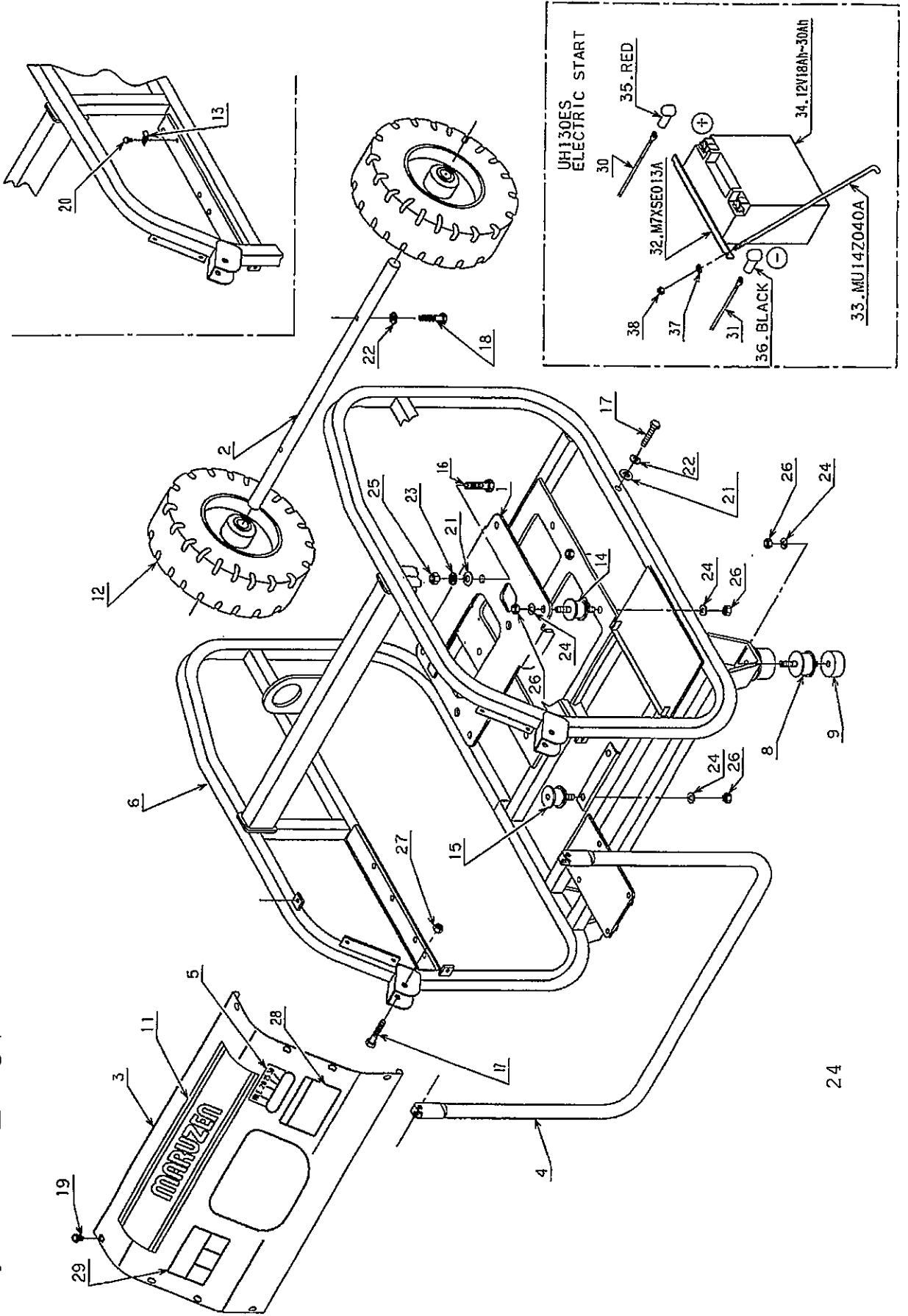
Ask your dealer for service for items with*

Symptoms	Causes	Countermeasures
1. Engine does not start	<ol style="list-style-type: none"> No fuel in fuel tank Bad fuel Air is in the fuel pipe and breaks the flow of fuel into carburetor (after long storage or after out of fuel) Damage of ignition plug Clog of carburetor Fuel cock is closed Overflow of fuel by overusing choke Trouble of ignition Clog of fuel filter Switch is in "OFF"(O) position Clog of air cleaner. Less engine oil 	<ol style="list-style-type: none"> Refill fuel Replace it Refill fuel in full or release air from the cup of the fuel cock Clean or replace ignition plug Disassemble and clean the carburetor Open the fuel cock Turn the choke lever to close position, pull starter robe several times. Inspect or repair if necessary * Clean the fuel filter Turn the switch to "ON"(I) position Clean the air cleaner * Refill the engine oil
2. Start rope is heavy when pulling	<ol style="list-style-type: none"> Power unit is not connected with the equipment (breaker and etc) Burning of cylinder due to less engine oil Damage of couplers Selector lever is not on the starter position "O". 	<ol style="list-style-type: none"> Connected power unit to equipment (breaker and etc) Disassemble and repair * Inspect, replace new ones if necessary Turn the lever
3. Engine rotation (rpm) does not raise up	<ol style="list-style-type: none"> Choke was not turned to the original position Not enough fuel Clog of fuel filter 	<ol style="list-style-type: none"> Turn the choke to its original position Refill fuel Clean the fuel filter *

	<p>4. Clog of air cleaner</p> <p>5. Looseness or damage of throttle wire</p>	<p>4. Clean the air cleaner</p> <p>5. Adjust or replace *</p>
<p>4. Attached tool does not operate or operate in lower power</p>	<p>1. Trouble of the tool</p> <p>2. Tool is not suitable and out of specs</p> <p>3. Not enough hydraulic oil</p> <p>4. Insufficiency of the hydraulic oil</p> <p>5. Decrease of relief valve pressure</p> <p>6. Wear of pump</p> <p>7. Damage of coupler</p> <p>8. Control lever is in "START"(O) position</p>	<p>1. Check and repair *</p> <p>2. Use suitable tool</p> <p>3. Refill hydraulic oil</p> <p>4. Change hydraulic oil</p> <p>5. Adjust relief valve pressure *</p> <p>6. Replace a new pump *</p> <p>7. Replace</p> <p>8. Turn the control lever to " OPERATE"(I) position</p>
<p>5. Oil temperature is abnormally high (Over 90°C)</p>	<p>1. Clog of radiator</p> <p>2. Clog of fan</p>	<p>1. Clean the radiator</p> <p>2. Clean the fan</p>
<p>6. Oil leakage from hoses or couplers</p>	<p>1. Loose of hoses fitting and couplers</p> <p>2. Damage of hoses</p>	<p>1. Tighten up hoses and couplers</p> <p>2. Replace new hoses or couplers if necessary</p>
<p>7. Stop switch is OFF but engine does not stop</p>	<p>1. Switch code or earth wire is broken or loosen</p>	<p>1. Check and repair *</p>
<p>8. Engine stops</p>	<p>1. Overload (continuous operation in condition of working the relief valve)</p> <p>2. No fuel</p> <p>3. Trouble of electric circuit</p> <p>4. Less engine oil (check oil alert)</p>	<p>1. Decrease load</p> <p>2. Refill fuel</p> <p>3. Check and repair *</p> <p>4. Refill engine oil</p>
<p>Below for UH130ES only</p>		
<p>9. No work of cell starter</p>	<p>1. Switch lever is "I" position</p> <p>2. Less engine oil</p> <p>3. Discharged electricity of battery</p>	<p>1. Turn the switch lever to "O" position *</p> <p>2. Refill engine oil</p> <p>3. Charge or replace battery</p>

	4. Break or disconnect of electric circuit	4. Check and repair *
10. Stop switch is "OFF" but engine does not stop	1. Trouble of switch, earth wire circuit	1. Check and repair *
11. Battery is not recharged	1. Trouble of electric circuit inside of engine 2. Full discharged of battery	1. Check and repair * 2. Replace *

1. FRAME Gr

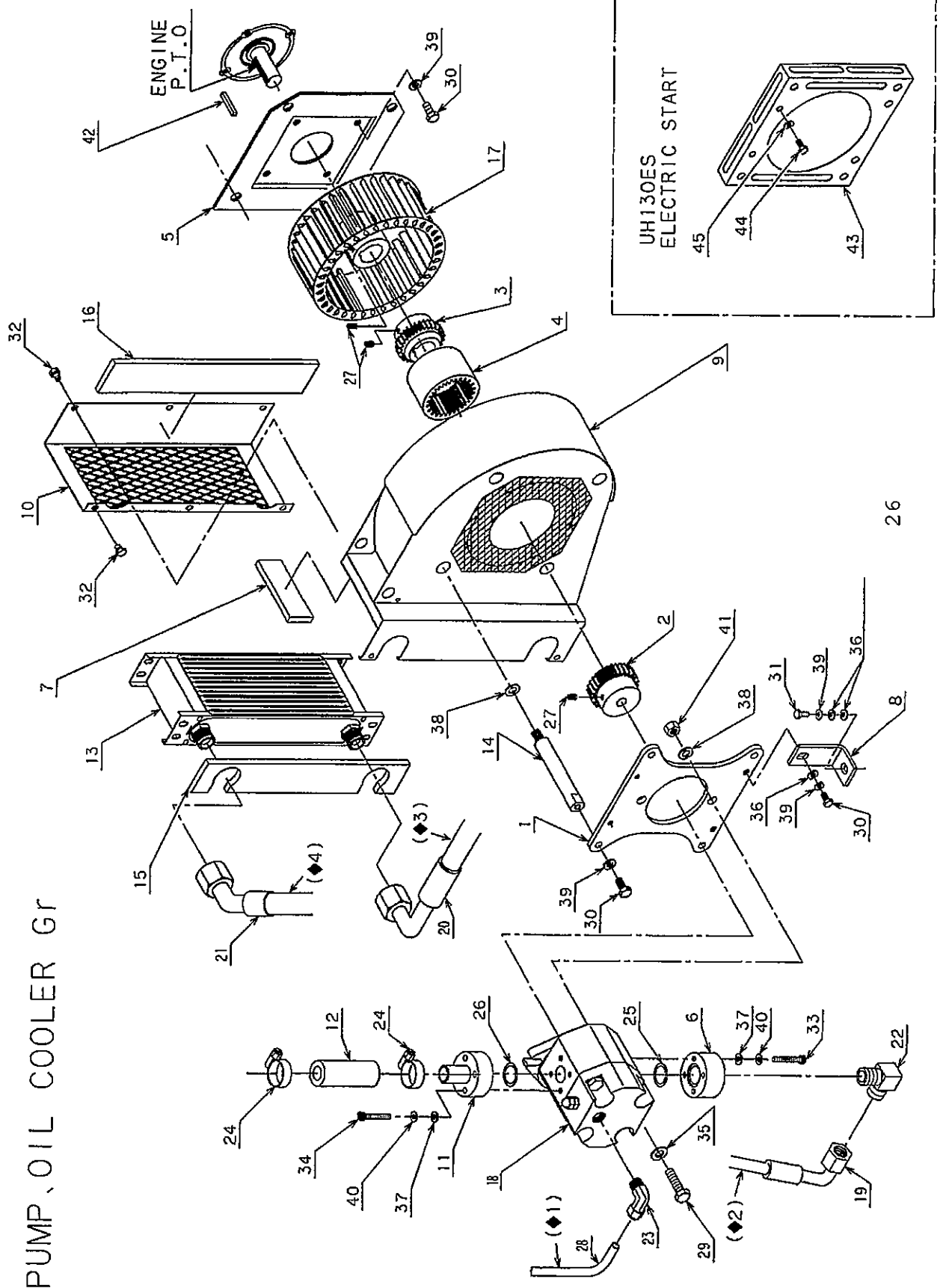


1. FRAME

【☆ For Electric Start Type】

No	Code	Description	Q'ty	No	Code	Description	Q'ty
1	MU14Z037A	Engine Base	1	26	N1-8	Nut	12
2	MU14Z035A	Wheel Shaft	1	27	NN-8	Nylon Nut	2
3	MU14X036A	Front Panel	1	28	MPL1Z063A	Label BP(CAUTION)	1
4	MU14Y026A	Handle	1	29	MPL1Z096A	Label CR(CAUTION)	1
5	MU14Z041A	Throttle Label	1	☆30	MU14Z038A	Battery Cable	1
6	MU14W004A	Frame	1	☆31	MU14Z039A	Warth Wire	1
7				☆32	M7XSE013A	Metal Holder	1
8	KA-40	Rubber	2	☆33	MU14Z040A	Hook Bolt	2
9	MU14Z032A	Front Leg	2	☆34	12V18Ah~30Ah	Battery	1
10				☆35	M10 RED	Terminal cover	1
11	MU08Z032A	MARUZEN Label	1	☆36	M10 BLACK	Terminal cover	1
12	Solid Rubber wheel (10")	Pneumatic Wheel	2	☆37	WP-6	Washer	2
13	COPS3-20P	Cable Clip(Steel)	1	☆38	N1-6	Nut	2
14	KA-30	Cushion Rubber	4				
15	RA-30	Cushion Rubber	2				
16	B-10 x 45	Bolt	4				
17	B-8 x 45 (11T)	Bolt	4				
18	B-8 x 35	Bolt	2				
19	BG-6 x 8	Bolt	8				
20	SR-5 x 10 (3P)ユニクロ	Screw	1				
21	WP-10	Washer	6				
22	WP-8	Washer	2				
23	WS-10	Washer	4				
24	WS-8	Washer	12				
25	N1-10	Nut	4				

2. PUMP, OIL COOLER GR

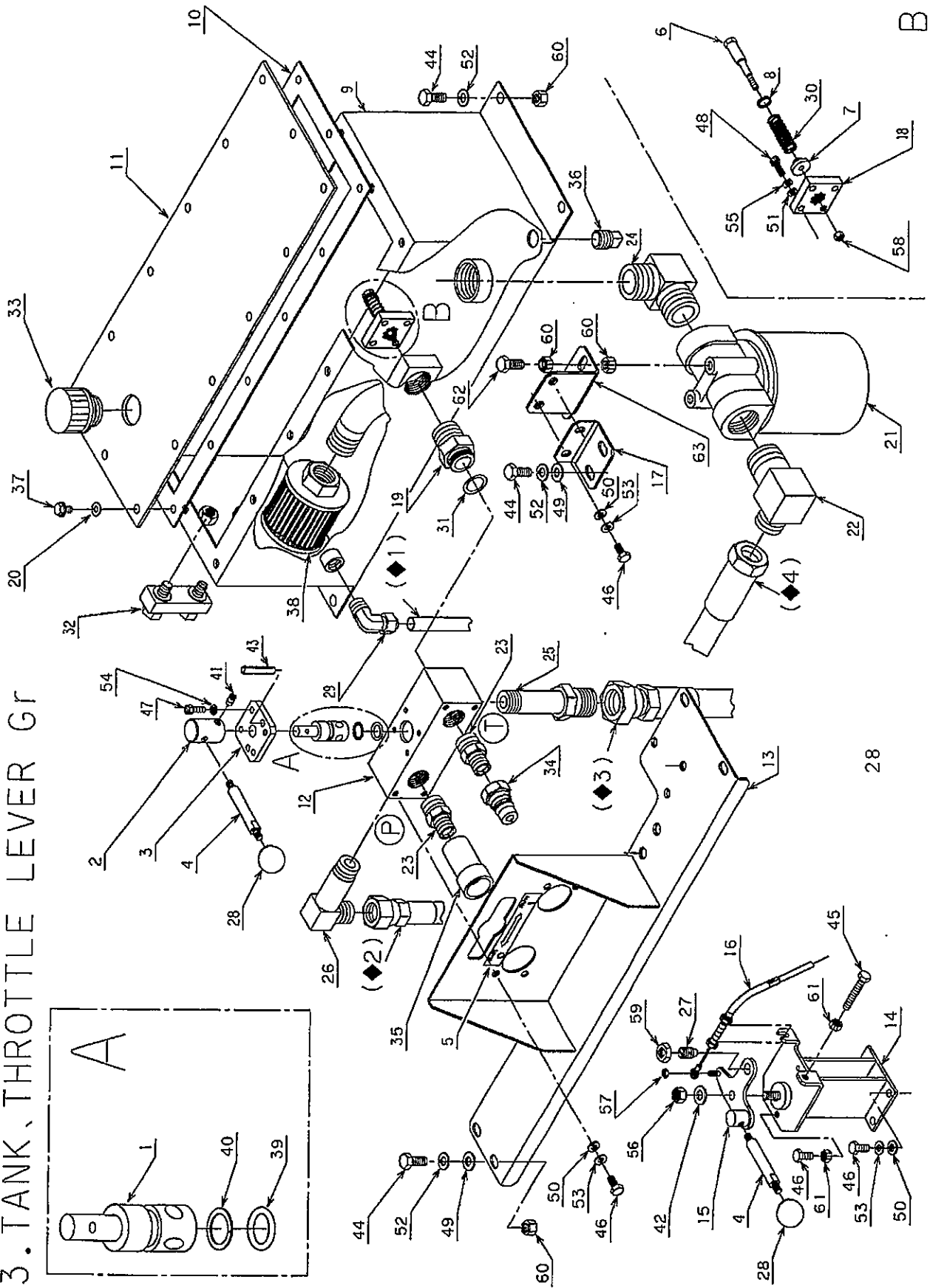
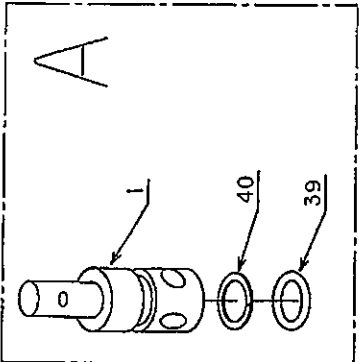


2. Pump Cooler Gr

【★ For Erectric Start Type】

No	Code	Description	Q'ty	No	Code	Description	Q'ty
1	MU14Z005A	Pump Flange(MAR)	1	23	L4N10×8-PT3/8	Elbow	1
2	MU14Z046A	Coupling(MAR)	1	24	SS-12	Hose Band	2
3	MU14Z045A	Coupling(GX390)	1	25	OP-24	O Ring	1
(3)				26	OP-22	O Ring	1
4	MU07Z034A	Hub	1	27	SH-6×8	Screw	3
5	MU14Z007A	Mounting Plate	1	28	N2-4-10×8 L=330	Nylon Tube	1
(5)				29	B-10×40	Bolt	2
6	MU14Z009A	Delivery Frange(Φ 20)	1	30	B-8×20	Bolt	14
7	MU14Z010A	packing(A)	2	31	B-8×16	Bolt	2
8	MU14Z014A	Cushion Rubber Bracket	2	32	B-6×10(2P)	Bolt	6
9	MU14Y037A	Fan Case	1	33	BH-6×40	Bolt	4
10	MU14Y033A	Radiator Cover	1	34	BH-6×35	Bolt	4
11	MU14Z027A	Suction Frange	1	35	WP-10	Washer	2
12	MU14Z028A	Suction Hose(MAR)	1	36	WP-8	Washer	4
13	R3NSZ022A	Radiator	1	37	WP-6	Washer	10
14	MU07Z005A	Stud Bolt	4	38	WS-10	Washer	2
15	MU07Z007A	Packing(A)	1	39	WS-8	Washer	12
16	MU07Z008A	packing(B)	1	40	WS-6	Washer	10
17	MU14Z001A	FAN	1	41	NI-10	Nut	2
(17)	MU14Z002A	FAN(EX40)	1	42	90741-805-000	Key	1
18	ALP2A-D-12-2/2-D-VN-E3/140	Pump	1	(42)	032-00700-90	Key(EX40)	2
19	17126・8 -- 36 --	Hose	1	★43	MU14Z031A	Fan Guard	1
20	03196・8 -- 47 --	Hose	1	★44	B-6×10(2P)	Bolt	2
21	03196・7 -- 42 --	Hose	1	★45	WP-6	Washer	2
22	N-1034-08	Adapter	2				

3. TANK, THROTTLE LEVER GR



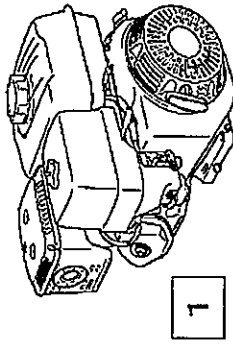
B

28

3. Throttle Lever Tank Gr

No	Code	Description	Q'ty	No	Code	Description	Q'ty	No	Code	Description	Q'ty
1	MU14Z008A	Rotary	1	24	N-2086-16	Adapter	1	49	WP-8	Washer	8
2	MU14Z011A	Cap	1	25	N-9009-08-12	Adapter	1	50	WP-6	Washer	8
3	MU14Z012A	Plate	1	26	N-9034-08	Adapter	1	51	WP-4	Washer	4
4	MU14Z013A	Lever	2	27	PBF-10	Mini Ball Plunger	1	52	WS-8	Washer	12
5	MU14Z042A	Operation Label	1	28	PC25 x 6B	Ball	2	53	WS-6	Washer	8
6	MU14Z015A	Shaft	1	29	L4N10 x 8 - PT1/4	Elbow	1	54	WS-5	Washer	4
7	MU14Z016A	Bypass Valve	1	30	11-1344	Spring	1	55	WS-4	Washer	4
8	MU14Z017A	Washer(Bypass)	1	31	OP-20	O Ring	1	56	NN-8	Nylon Nut	1
9	MU14Y003A	Tank	1	32	CD D6-H40 Float(RED)	Oil Level Gauge	1	57	NN-4	Nylon Nut	1
10	MU14Z018A	Tank Packing	1	33	BM-3/4	Breezer cap	1	58	NU-5	U Nut	1
11	MU14Z019A	Tank Lid	1	34	QC--O3M	Coupling(mail)	1	59	N1-10	Nut	1
12	MU14Z020B	Valve Body	1	35	QC--O3F	Coupling(femal)	1	60	N1-8	Nut	10
13	MU14Y021A	Valve Body Bracket	1	36	3/8Plug	Plug	1	61	N1-6	Nut	2
14	MU14Y022A	Throttle Base GX390	1	37	BG--6 x 15	Bolt	14	62	B-8 x 30	Bolt	2
(14)				38	SFT-06	Suction Filter	1	63	MU14Z043A	Filter Bracket(B)	1
15	MU14Z023A	Throttle Lever	1	39	OP-14	O Ring	1				
16	MU14Z024A	Control Cable	1	40	OBP-14	Backup Ring	1				
(16)				41	SH--6 x 8 point	Screw	1				
17	MU14Z025A	Filter Bracket	1	42	WF--8	Washer	1				
18	MU14Z029A	Bypass Frange	1	43	PR-6 x 35	Pin	2				
19	MU14Z030B	Bypass Adapter	1	44	B-8 x 20	Bolt	10				
20	1240-404	φ 6Washer	14	45	B-6 x 45 full thread	Bolt	1				
21	CP--08-132	Cartridge Filter	1	46	B-6 x 15	Bolt	8				
22	N-1034--16-12	Adapter	1	47	BH-5 x 15	Bolt	4				
23	N-2083-06-08	Adapter	2	48	BH-4 x 15	Bolt	4				

4. ENGINE



No	Code	Description	Qty
1	GX390T2 SX	Engine (UH130-2)	1
2	GX390UT2 SXE4	Engine (UH130-2ES)	1
3	16594-883-010	Wire Holder	1
4	E-5	Circrip	1
	SR-4 x 6 (Ucr)	Screw	1

