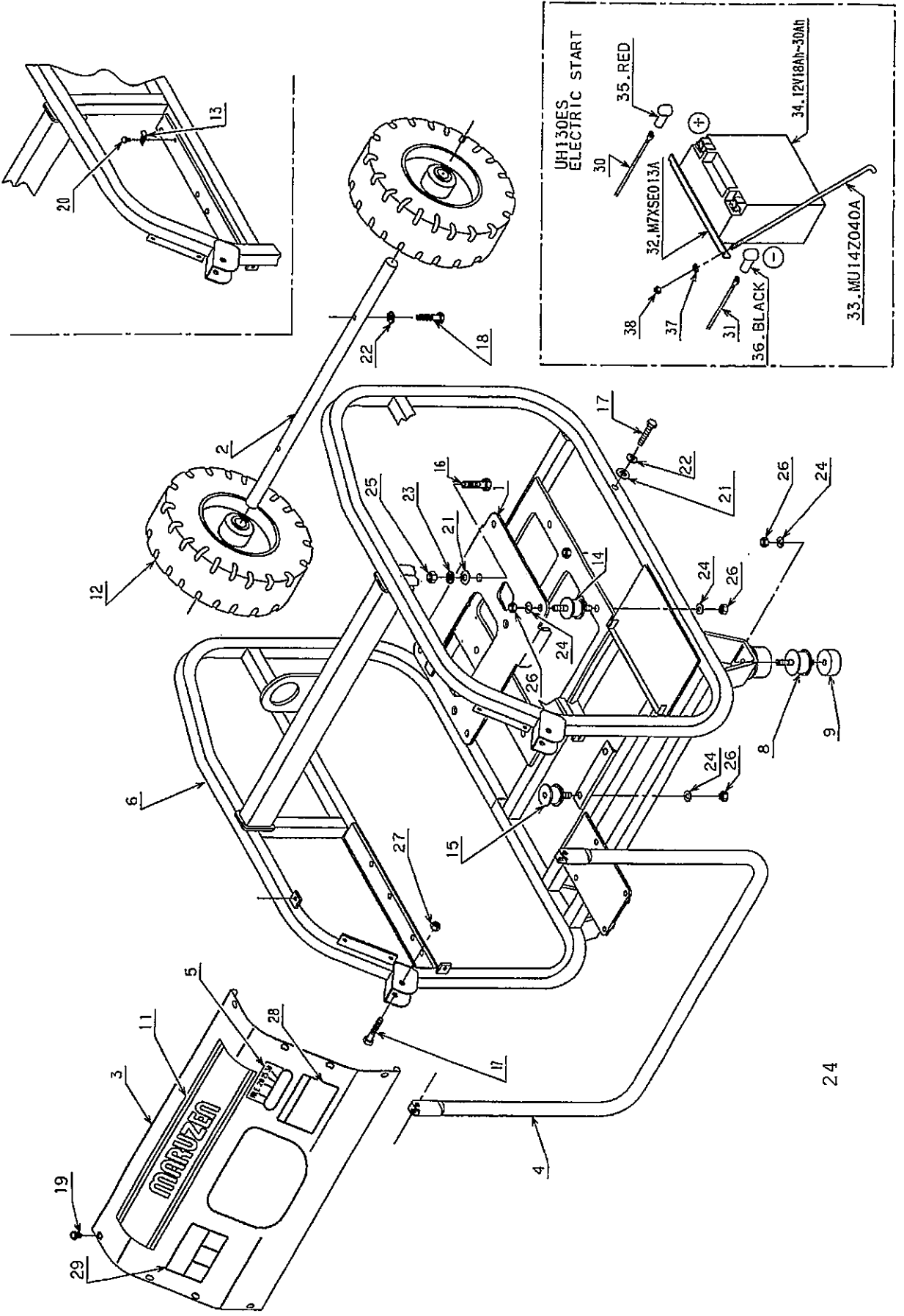


# 1. FRAME Gr

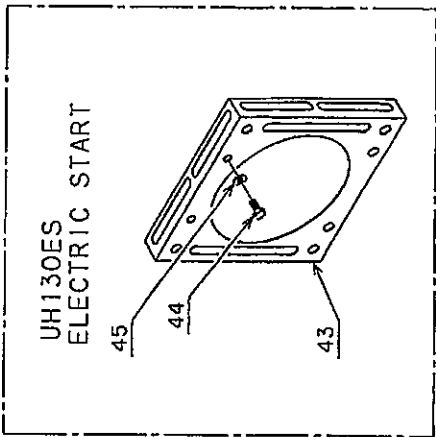
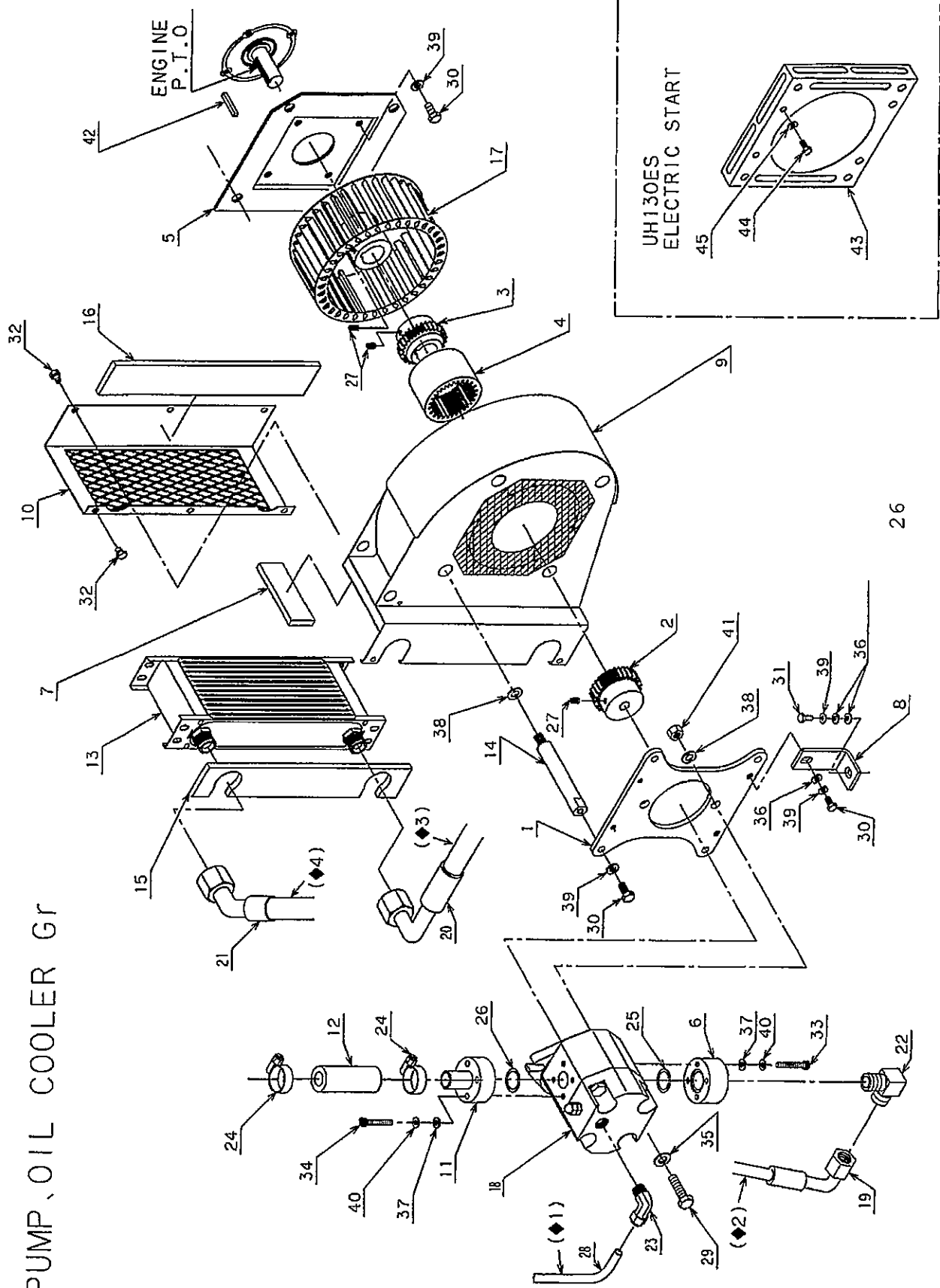


1. FRAME

【☆ For Electric Start Type】

| No | Code                     | Description       | Q'ty | No  | Code         | Description       | Q'ty |
|----|--------------------------|-------------------|------|-----|--------------|-------------------|------|
| 1  | MU14Z037A                | Engine Base       | 1    | 26  | N1-8         | Nut               | 12   |
| 2  | MU14Z035A                | Wheel Shaft       | 1    | 27  | NN-8         | Nylon Nut         | 2    |
| 3  | MU14X036A                | Front Panel       | 1    | 28  | MPL1Z063A    | Label BP(CAUTION) | 1    |
| 4  | MU14Y026A                | Handle            | 1    | 29  | MPL1Z096A    | Label CR(CAUTION) | 1    |
| 5  | MU14Z041A                | Throttle Label    | 1    | ☆30 | MU14Z038A    | Battery Cable     | 1    |
| 6  | MU14W004A                | Frame             | 1    | ☆31 | MU14Z039A    | Warth Wire        | 1    |
| 7  |                          |                   |      | ☆32 | M7XSE013A    | Metal Holder      | 1    |
| 8  | KA-40                    | Rubber            | 2    | ☆33 | MU14Z040A    | Hook Bolt         | 2    |
| 9  | MU14Z032A                | Front Leg         | 2    | ☆34 | 12V18Ah~30Ah | Battery           | 1    |
| 10 |                          |                   |      | ☆35 | M10 RED      | Terminal cover    | 1    |
| 11 | MU08Z032A                | MARUZEN Label     | 1    | ☆36 | M10 BLACK    | Terminal cover    | 1    |
| 12 | Solid Rubber wheel (10") | Pneumatic Wheel   | 2    | ☆37 | WP-6         | Washer            | 2    |
| 13 | COPS3-20P                | Cable Clip(Steel) | 1    | ☆38 | N1-6         | Nut               | 2    |
| 14 | KA-30                    | Cushion Rubber    | 4    |     |              |                   |      |
| 15 | RA-30                    | Cushion Rubber    | 2    |     |              |                   |      |
| 16 | B-10 x 45                | Bolt              | 4    |     |              |                   |      |
| 17 | B-8 x 45 (11T)           | Bolt              | 4    |     |              |                   |      |
| 18 | B-8 x 35                 | Bolt              | 2    |     |              |                   |      |
| 19 | BG-6 x 8                 | Bolt              | 8    |     |              |                   |      |
| 20 | SR-5 x 10 (3P)ユニクロ       | Screw             | 1    |     |              |                   |      |
| 21 | WP-10                    | Washer            | 6    |     |              |                   |      |
| 22 | WP-8                     | Washer            | 2    |     |              |                   |      |
| 23 | WS-10                    | Washer            | 4    |     |              |                   |      |
| 24 | WS-8                     | Washer            | 12   |     |              |                   |      |
| 25 | N1-10                    | Nut               | 4    |     |              |                   |      |

# 2. PUMP, OIL COOLER GR

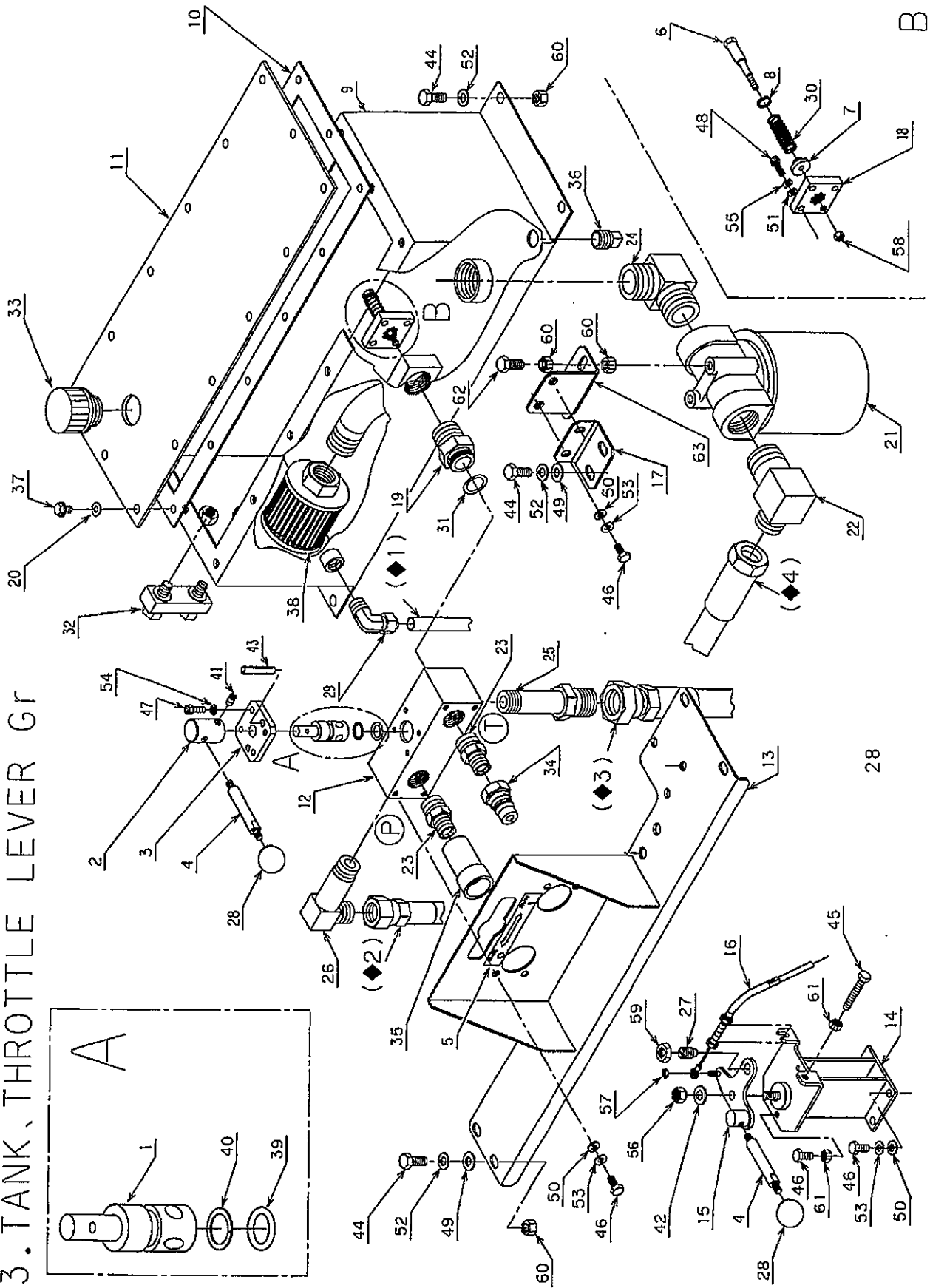
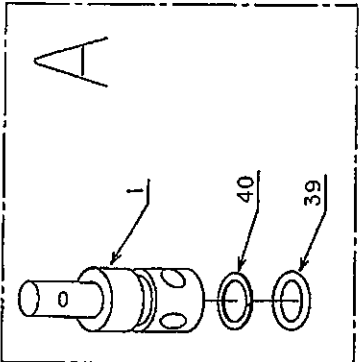


2. Pump Cooler Gr

【★ For Erectric Start Type】

| No   | Code                       | Description            | Q'ty | No   | Code            | Description | Q'ty |
|------|----------------------------|------------------------|------|------|-----------------|-------------|------|
| 1    | MU14Z005A                  | Pump Flange(MAR)       | 1    | 23   | L4N10×8-PT3/8   | Elbow       | 1    |
| 2    | MU14Z046A                  | Coupling(MAR)          | 1    | 24   | SS-12           | Hose Band   | 2    |
| 3    | MU14Z045A                  | Coupling(GX390)        | 1    | 25   | OP-24           | O Ring      | 1    |
| (3)  |                            |                        |      | 26   | OP-22           | O Ring      | 1    |
| 4    | MU07Z034A                  | Hub                    | 1    | 27   | SH-6×8          | Screw       | 3    |
| 5    | MU14Z007A                  | Mounting Plate         | 1    | 28   | N2-4-10×8 L=330 | Nylon Tube  | 1    |
| (5)  |                            |                        |      | 29   | B-10×40         | Bolt        | 2    |
| 6    | MU14Z009A                  | Delivery Frange(Φ 20)  | 1    | 30   | B-8×20          | Bolt        | 14   |
| 7    | MU14Z010A                  | packing(A)             | 2    | 31   | B-8×16          | Bolt        | 2    |
| 8    | MU14Z014A                  | Cushion Rubber Bracket | 2    | 32   | B-6×10(2P)      | Bolt        | 6    |
| 9    | MU14Y037A                  | Fan Case               | 1    | 33   | BH-6×40         | Bolt        | 4    |
| 10   | MU14Y033A                  | Radiator Cover         | 1    | 34   | BH-6×35         | Bolt        | 4    |
| 11   | MU14Z027A                  | Suction Frange         | 1    | 35   | WP-10           | Washer      | 2    |
| 12   | MU14Z028A                  | Suction Hose(MAR)      | 1    | 36   | WP-8            | Washer      | 4    |
| 13   | R3NSZ022A                  | Radiator               | 1    | 37   | WP-6            | Washer      | 10   |
| 14   | MU07Z005A                  | Stud Bolt              | 4    | 38   | WS-10           | Washer      | 2    |
| 15   | MU07Z007A                  | Packing(A)             | 1    | 39   | WS-8            | Washer      | 12   |
| 16   | MU07Z008A                  | packing(B)             | 1    | 40   | WS-6            | Washer      | 10   |
| 17   | MU14Z001A                  | FAN                    | 1    | 41   | NI-10           | Nut         | 2    |
| (17) | MU14Z002A                  | FAN(EX40)              | 1    | 42   | 90741-805-000   | Key         | 1    |
| 18   | ALP2A-D-12-2/2-D-VN-E3/140 | Pump                   | 1    | (42) | 032-00700-90    | Key(EX40)   | 2    |
| 19   | 17126・8 -- 36 --           | Hose                   | 1    | ★43  | MU14Z031A       | Fan Guard   | 1    |
| 20   | 03196・8 -- 47 --           | Hose                   | 1    | ★44  | B-6×10(2P)      | Bolt        | 2    |
| 21   | 03196・7 -- 42 --           | Hose                   | 1    | ★45  | WP-6            | Washer      | 2    |
| 22   | N-1034-08                  | Adapter                | 2    |      |                 |             |      |

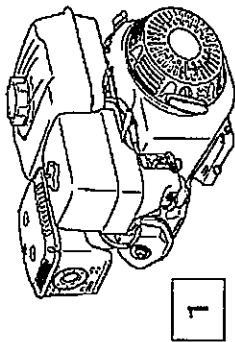
# 3. TANK, THROTTLE LEVER GR



3. Throttle Lever Tank Gr

| No   | Code          | Description         | Q'ty | No | Code                 | Description       | Q'ty | No | Code      | Description       | Q'ty |
|------|---------------|---------------------|------|----|----------------------|-------------------|------|----|-----------|-------------------|------|
| 1    | MU14Z008A     | Rotary              | 1    | 24 | N-2086-16            | Adapter           | 1    | 49 | WP-8      | Washer            | 8    |
| 2    | MU14Z011A     | Cap                 | 1    | 25 | N-9009-08-12         | Adapter           | 1    | 50 | WP-6      | Washer            | 8    |
| 3    | MU14Z012A     | Plate               | 1    | 26 | N-9034-08            | Adapter           | 1    | 51 | WP-4      | Washer            | 4    |
| 4    | MU14Z013A     | Lever               | 2    | 27 | PBF-10               | Mini Ball Plunger | 1    | 52 | WS-8      | Washer            | 12   |
| 5    | MU14Z042A     | Operation Label     | 1    | 28 | PC25 x 6B            | Ball              | 2    | 53 | WS-6      | Washer            | 8    |
| 6    | MU14Z015A     | Shaft               | 1    | 29 | L4N10 x 8 - PT1/4    | Elbow             | 1    | 54 | WS-5      | Washer            | 4    |
| 7    | MU14Z016A     | Bypass Valve        | 1    | 30 | 11-1344              | Spring            | 1    | 55 | WS-4      | Washer            | 4    |
| 8    | MU14Z017A     | Washer(Bypass)      | 1    | 31 | OP-20                | O Ring            | 1    | 56 | NN-8      | Nylon Nut         | 1    |
| 9    | MU14Y003A     | Tank                | 1    | 32 | CD D6-H40 Float(RED) | Oil Level Gauge   | 1    | 57 | NN-4      | Nylon Nut         | 1    |
| 10   | MU14Z018A     | Tank Packing        | 1    | 33 | BM-3/4               | Breezer cap       | 1    | 58 | NU-5      | U Nut             | 1    |
| 11   | MU14Z019A     | Tank Lid            | 1    | 34 | QC--O3M              | Coupling(mail)    | 1    | 59 | N1-10     | Nut               | 1    |
| 12   | MU14Z020B     | Valve Body          | 1    | 35 | QC--O3F              | Coupling(femal)   | 1    | 60 | N1-8      | Nut               | 10   |
| 13   | MU14Y021A     | Valve Body Bracket  | 1    | 36 | 3/8Plug              | Plug              | 1    | 61 | N1-6      | Nut               | 2    |
| 14   | MU14Y022A     | Throttle Base GX390 | 1    | 37 | BG--6 x 15           | Bolt              | 14   | 62 | B-8 x 30  | Bolt              | 2    |
| (14) |               |                     |      | 38 | SFT-06               | Suction Filter    | 1    | 63 | MU14Z043A | Filter Bracket(B) | 1    |
| 15   | MU14Z023A     | Throttle Lever      | 1    | 39 | OP-14                | O Ring            | 1    |    |           |                   |      |
| 16   | MU14Z024A     | Control Cable       | 1    | 40 | OBP-14               | Backup Ring       | 1    |    |           |                   |      |
| (16) |               |                     |      | 41 | SH--6 x 8 point      | Screw             | 1    |    |           |                   |      |
| 17   | MU14Z025A     | Filter Bracket      | 1    | 42 | WF--8                | Washer            | 1    |    |           |                   |      |
| 18   | MU14Z029A     | Bypass Frange       | 1    | 43 | PR-6 x 35            | Pin               | 2    |    |           |                   |      |
| 19   | MU14Z030B     | Bypass Adapter      | 1    | 44 | B-8 x 20             | Bolt              | 10   |    |           |                   |      |
| 20   | 1240-404      | φ 6Washer           | 14   | 45 | B-6 x 45 full thread | Bolt              | 1    |    |           |                   |      |
| 21   | CP--08-132    | Cartridge Filter    | 1    | 46 | B-6 x 15             | Bolt              | 8    |    |           |                   |      |
| 22   | N-1034--16-12 | Adapter             | 1    | 47 | BH-5 x 15            | Bolt              | 4    |    |           |                   |      |
| 23   | N-2083-06-08  | Adapter             | 2    | 48 | BH-4 x 15            | Bolt              | 4    |    |           |                   |      |

#### 4. ENGINE



| No | Code           | Description        | Qty |
|----|----------------|--------------------|-----|
| 1  | GX390T2 SX     | Engine (UH130-2)   | 1   |
| 2  | GX390UT2 SXE4  | Engine (UH130-2ES) | 1   |
| 3  | 16594-883-010  | Wire Holder        | 1   |
| 4  | E-5            | Circrip            | 1   |
|    | SR-4 x 6 (Ucr) | Screw              | 1   |

